



Smart solutions.
Strong relationships.

SPARE ALP PRICE LIST

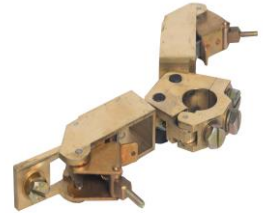
NFLP Motors • FLP Motors • DC Motors • Alternators



AVR



Bearing



Brush Holder



Carbon Brush



Endshield



Fan Cover



Plastic Fan



Rotor Shaft



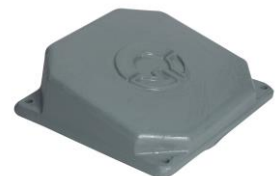
Stator Case - Flange



Terminal Block



Terminal Box



Terminal Box Cover

01	MTS Spares	05
	NFLP Motors (63 frame to 132 frame)	07
	NFLP Motors (160 frame to 450 frame)	10
	FLP Motors	14
	DC Motors	18
	Alternators	23

02	Other Spares	25
	Misc. Spares for Alternators	25
	Misc. Spares for AC Motors	35
	Misc. Spares for DC Motors	76
	Bearings, Carbon Brush & Circlips	84
	Packaging Material	90



Smart solutions.
Strong relationships.



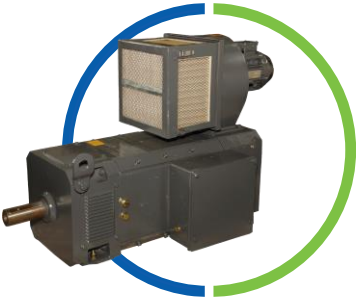
Smart solutions.
Strong relationships.



NFLP Motors



FLP Motors

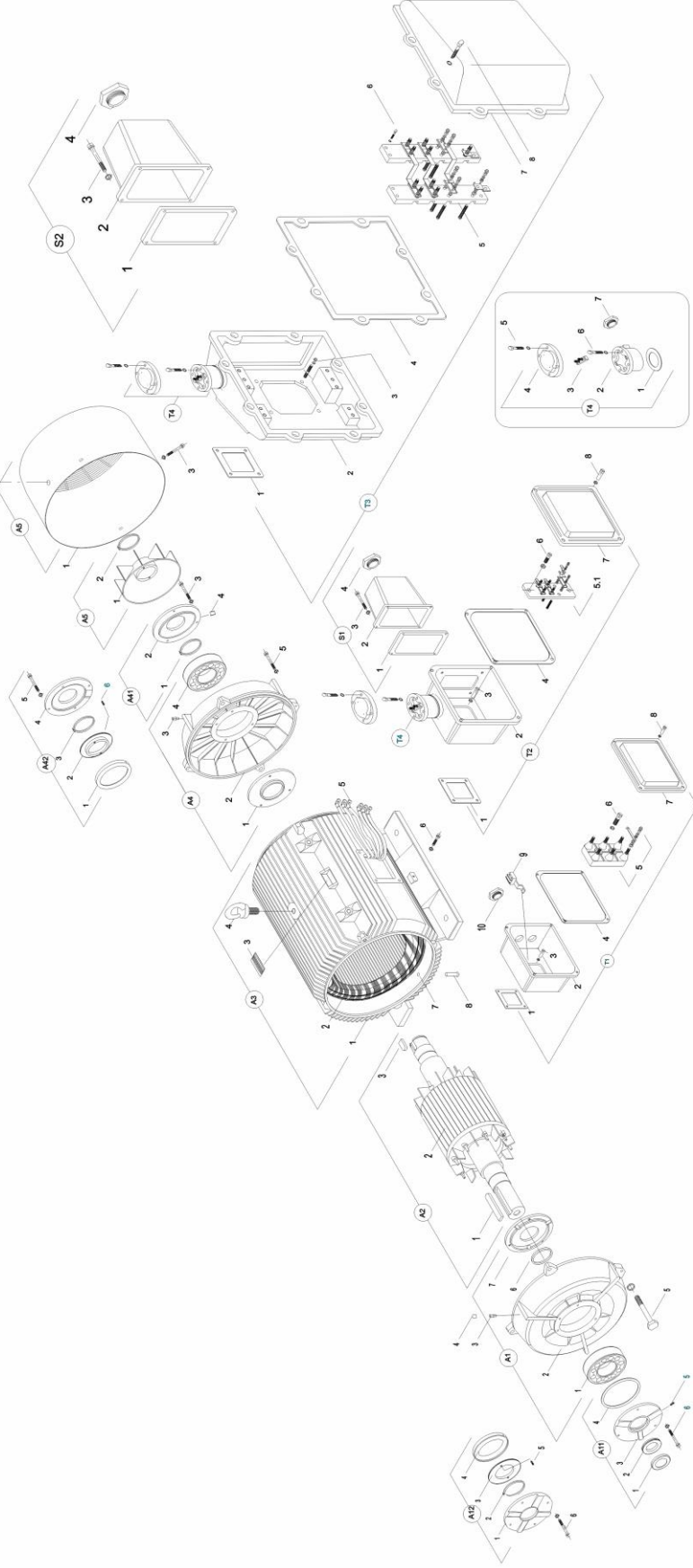


DC Motor



Alternator

Exploded view of ND series frame 160 to 355 (NFLP Motor)



(A1)	DRIVE - END ENDSHIELD ASSLY A 1.1 DRIVE-END BEARING A 1.2 DRIVE ENDSHIELD NIPPLE A 1.3 CREASE NIPPLE A 1.4 CREASE NIPPLE CAP	(A2)	ROTOR ASSLY. A 2.1 EXTN. KEY ROTOR A 2.2 BALANCED ROTOR A 2.3 FAN KEY ROTOR MAY BE BUILT UP TYPE FOR 280/315 FRAMES	(A3)	STATOR ASSLY. A 3.1 STATOR CASE A 3.2 WOUND PACK A 3.3 RATING PLATE A 3.4 EYE BOLT A 3.5 M/c SOCKET A 3.6 EARTHING HARDWARE A 3.7 DRAIN HUE A 3.8 DRAIN PLUG	(A4)	NON DRIVE - END ENDSHIELD ASSLY A4.1 INSIDE BRC.COVER A4.2 ODE ENDSHIELD NIPPLE A 4.3 CREASE NIPPLE A 4.4 ODE BEARING ENDSHIELD A 4.5 ENDSHIELD FIXING HARDWARE	(A5)	FAN SLY. A 5.1 EXTERNAL FAN A 5.2 CIRCLIP	(A6)	FAN COVER ASSLY. A 6.1 FAN COVER A 6.2 CREASE NIPPLE COVER A 6.3 FAN COVER FIXING HARDWARE	(T1)	TERMINAL BOX ASSLY. FOR 160 - 200 FRAMES. T 1.1 CASKET (BOX/S.CASE) T 1.2 TERMINAL BOX T 1.3 T.BOX FIXING HARDWARE T 1.4 CASKET (T.BOX/CVR) T 1.5 TERMINAL BLOCK ASSLY. FOR 225-280 FRAMES T 1.6 BLOCK FIXING HARDWARE T 1.7 TERMINAL BOX COVER T 1.8 COVER FIXING HARDWARE T 1.9 AUX.TER BLOCK & CLAMP PLUG	(T2)	TERMINAL BOX ASSLY. FOR 225 - 280 FRAMES. T 2.1 CASKET (BOX/S.CASE) T 2.2 TERMINAL BOX T 2.3 T.BOX FIXING HARDWARE T 2.4 CASKET (T.BOX/CVR) T 2.5.1 TERMINAL BLOCK ASSLY. FOR 225-280 FRAMES T 2.6 BLOCK FIXING HARDWARE T 2.7 TERMINAL BOX COVER T 2.8 COVER FIXING HARDWARE	(T3)	TERMINAL BOX ASSLY. FOR 315 & 355 FRAMES. T 3.1 CASKET (BOX/S.CASE) T 3.2 TERMINAL BOX T 3.3 T.BOX FIXING HARDWARE T 3.4 CASKET (T.BOX/CVR) T 3.5 TERMINAL BLOCK ASSLY. FOR 225-280 FRAMES T 3.6 BLOCK FIXING HARDWARE T 3.7 TERMINAL BOX COVER T 3.8 COVER FIXING HARDWARE	(T4)	AUX. TERMINAL BOX ASSLY. FOR 225 TO 355 FRAMES. T 4.2 TERMINAL BLOCK T 4.3 TERMINAL COVER T 4.4 TERMINAL COVER FIXING HARDWARE T 4.5 COVER FIXING HARDWARE T 4.6 BOX FIXING HARDWARE T 4.7 CONDUIT PUC	(S1) (S2)	SEALING BOX ASSLY. FOR 225 TO 280/315 TO 355 FRAMES. S 1.1 CASKET S 1.2 SEALING BOX S 1.3 S/BOX FIXING HARDWARE S 1.4 CONDUIT PLUG
(A11)	FOR 160 - 225 FRAMES A 11.1 VRINC CUP A 11.2 V - RING A 11.3 INTERCAL ENDSHIELD A 11.4 PRE LOADING WASHER A 11.5 DRAIN PLUG	(A12)	FOR FRAME 250 & ABOVE A 12.1 DE OUT SIDE BRC.COVER A 12.2 CIRCLIP A 12.3 CREASE FLINGER A 12.4 CREASE BAFFLE A 12.5 GRUB SCREW A 12.6 BRG.CVR FIXING HARDWARE	(A41)	FOR 160 - 225 FRAMES A 41.1 CIRCLIP A 41.2 INTERCAL B.COVER ENDSHIELD A 41.3 BRC.CVR FIXING HARDWARE A 41.4 DRAIN PLUG A 41.5 INSIDE BRC. COVER	(A42)	FOR FRAMES 250 ABOVE A 42.1 CIRCLIP A 42.2 OUT SIDE BRC.COVER A 42.3 BRC.CVR FIXING HARDWARE					(T1)	TERMINAL BOX ASSLY. FOR 160 - 200 FRAMES. T 1.1 CASKET (BOX/S.CASE) T 1.2 TERMINAL BOX T 1.3 T.BOX FIXING HARDWARE T 1.4 CASKET (T.BOX/CVR) T 1.5 TERMINAL BLOCK ASSLY. FOR 225-280 FRAMES T 1.6 BLOCK FIXING HARDWARE T 1.7 TERMINAL BOX COVER T 1.8 COVER FIXING HARDWARE T 1.9 AUX.TER BLOCK & CLAMP PLUG	(T2)	TERMINAL BOX ASSLY. FOR 225 - 280 FRAMES. T 2.1 CASKET (BOX/S.CASE) T 2.2 TERMINAL BOX T 2.3 T.BOX FIXING HARDWARE T 2.4 CASKET (T.BOX/CVR) T 2.5.1 TERMINAL BLOCK ASSLY. FOR 225-280 FRAMES T 2.6 BLOCK FIXING HARDWARE T 2.7 TERMINAL BOX COVER T 2.8 COVER FIXING HARDWARE	(T3)	TERMINAL BOX ASSLY. FOR 315 & 355 FRAMES. T 3.1 CASKET (BOX/S.CASE) T 3.2 TERMINAL BOX T 3.3 T.BOX FIXING HARDWARE T 3.4 CASKET (T.BOX/CVR) T 3.5 TERMINAL BLOCK ASSLY. FOR 225-280 FRAMES T 3.6 BLOCK FIXING HARDWARE T 3.7 TERMINAL BOX COVER T 3.8 COVER FIXING HARDWARE	(T4)	AUX. TERMINAL BOX ASSLY. FOR 225 TO 355 FRAMES. T 4.2 TERMINAL BLOCK T 4.3 TERMINAL COVER T 4.4 TERMINAL COVER FIXING HARDWARE T 4.5 COVER FIXING HARDWARE T 4.6 BOX FIXING HARDWARE T 4.7 CONDUIT PUC	(S1) (S2)	SEALING BOX ASSLY. FOR 225 TO 280/315 TO 355 FRAMES. S 1.1 CASKET S 1.2 SEALING BOX S 1.3 S/BOX FIXING HARDWARE S 1.4 CONDUIT PLUG



Spares for Safe Area Motors IE2, IE3, IE4

Range: 63 frame to 132 frame

Series Covered: ND, NG, GD and NS

Category		DE Endshield		NDE Endshield		Flange Endshield	
Frame	SKU Code	ALP (₹)	SKU Code	ALP (₹)	SKU Code	ALP (₹)	
GD63	6307210001**	293	6307210002	309	6307215081	715	
GD71	6307220001	382	6307220002	376	6307225081	960	
GD80	6307230001	554	6307230002	442	6307235081	1,306	
GD90	6307240001	664	6307240002	565	6307245081	1,466	
GD100 / 112	6307260002	820	6307260005	799	6307265081	2,188	
GD132	6307270006	1,225	6307270007	1,064	6307275081	3,214	
ND80	136021405W	546	136021406W	460	132021406W	1,091	
ND90S	230312412W	585	237312418W	646	233312419W	1,475	
ND90L	230312412W	585	237312418W	646	233312419W	1,475	
ND100L	234312618W	756	233312673W	742	230312619W	2,016	
ND112M	231312722W	929	237312773W	839	236312729W	1,960	
ND132S	233312828W	1,316	233312812W	1,406	239312829W	3,012	
ND132M	233312828W	1,316	233312812W	1,406	239312829W	3,012	
NG80	6307235001	548	6307235002	477	6307235081	1,306	
NG90S	6307245001	729	6307245002	575	6307245081	1,466	
NG90L	6307245001	729	6307245002	575	6307245081	1,466	
NG100L	6307265014	1,070	6307265015	1,068	6307265081	2,188	
NG112M	6307265014	1,070	6307265015	1,068	6307265081	2,188	
NG132S	6307275001	1,554	6307275002	1,511	6307275081	3,214	
NG132M	6307275001	1,554	6307275002	1,511	6307275081	3,214	
NS80	6307235012**	601	6307235011**	623	6307235095	1,775	
NS90S	6307245008**	753	6307245009**	718	6307245090	1,532	
NS90L	6307245008**	753	6307245009**	718	6307245090	1,532	
NS100L	6307265024**	820	6307265025**	770	6307265094	2,701	
NS112M	6307265024**	820	6307265025**	770	6307265094	2,701	
NS132S	6307275028**	1,270	6307275029**	1,365	6307275090	3,986	
NS132M	6307275028**	1,270	6307275029**	1,365	6307275090	3,986	
NS132MX	6307275028**	1,270	6307275029**	1,365	6307275090	3,986	

** Please check delivery time before placing order

#All Cast iron spares will be sold in standard CG shade. Extra charges for separate paint shade



Spares for Safe Area Motors IE2, IE3, IE4

Range: 63 frame to 132 frame

Series Covered: ND, NG, GD and NS

Category	Stator Case - Foot	
Frame	SKU Code	ALP (₹)
GD63		
GD71		
GD80		
GD90		
GD100 / 112		
GD132		
ND80	6113117101	2,581
ND90S	6113117102	3,597
ND90L	6113117103	3,954
ND100L	6113117104	5,151
ND112M	6113117105	6,236
ND132S	6113117106	9,215
ND132M	6113117107	10,557
NG80	6307130003**	2,559
NG90S	6307140002	3,688
NG90L	6307140003	4,919
NG100L	6307160016	5,165
NG112M	6307160018	5,769
NG132S	6307170005	10,724
NG132M	6307170002	12,567
NS80	6307130017**	2,871
NS90S	6307140020**	3,612
NS90L	6307140023**	4,589
NS100L	6307160027**	5,033
NS112M	6307160030**	6,442
NS132S	6307170013**	7,284
NS132M	6307170006**	8,140
NS132MX	6307170015**	9,203

Stator Case - Flange	
SKU Code	ALP (₹)
6307110001**	692
6307120001	1,009
6307130001	1,410
6307140001	1,905
6307160007	3,011
6307170001	5,780
6113117201**	2,380
6113117202	3,115
6113117203**	3,631
6113117204	4,752
6113117205**	5,923
6113117206	8,512
6113117207	9,380
6307140004	4,265
6307140004	4,265
6307160020**	4,727
6307160020**	4,727
6307170008	9,272
6307170007	9,721
6307130018**	2,701
6307140022**	3,067
6307140025**	4,095
6307160029**	5,095
6307160032**	5,472
6307170017**	6,271
6307170010**	8,140
6307170014**	8,060

** Please check delivery time before placing order

#All Cast iron spares will be sold in standard CG shade. Extra charges for separate paint shade



Spares for Safe Area Motors IE2, IE3, IE4

Range: 63 frame to 132 frame

Series Covered: ND, NG, GD and NS

Category		External Fan		Fan Cover		Shaft	
Frame	SKU Code	ALP (₹)	SKU Code	ALP (₹)	SKU Code	ALP (₹)	
GD63	3152710001	24	3114410001	225	6302212001**	503	
GD71	3152720001	21	3114420001	269	6302222001**	515	
GD80	3152740001	29	3114430001	232	6302232001**	676	
GD90	3152740001	29	3114440001	448	6302242001**	784	
GD100 / 112	3152770001	53	3114460010	637	6302262001**	1,350	
GD132	3152770002	79	3114470001	380	6302272001**	2,795	
ND80	236087004	47	234031005P	320	AD3DAQW4103**	723	
ND90S	239087012	49	238031004P	337	ND3EAQW4001**	969	
ND90L	239087012	49	238031004P	337	ND3FAQW4002**	1,048	
ND100L	233087019	63	231031003P	394	ND3GAQW4005**	1,315	
ND112M	245087002	83	239031001P	488	ND3HAQW4006**	1,354	
ND132S	131087008	164	230031006P	765	ND3IAQW4007**	2,289	
ND132M	131087008	164	230031006P	765	ND3JAQW4008**	2,530	
NG80	3152740001	29	3114430001	232	6302232001**	676	
NG90S	3152740001	29	3114440001	448	6302242001**	784	
NG90L	3152740001	29	3114440001	448	6302246001**	1,170	
NG100L	3152770001	53	3114460010	637	6302262001**	1,350	
NG112M	3152770001	53	3114460010	637	6302262001**	1,350	
NG132S	3152770002	79	3114470001	380	6302272001**	2,795	
NG132M	3152770002	79	3114470001	380	6302276001**	3,048	
NS80	3152740001	29	3114430001	232	6302232001**	676	
NS90S	3152740001	29	3114440001	448	6302242001**	784	
NS90L	3152740001	29	3114440001	448	6302246018**	1,279	
NS100L	3152770001	53	3114460010	637	6302552001**	1,182	
NS112M	3152770001	53	3114460010	637	6302262001**	1,350	
NS132S	3152770002	79	3114470001	380	6302272028**	2,156	
NS132M	3152770002	79	3114470001	380	6302272001**	2,795	
NS132MX	3152770002	79	3114470001	380	6302276001**	3,048	

** Please check delivery time before placing order

#All Cast iron spares will be sold in standard CG shade. Extra charges for separate paint shade



Spares for Safe Area Motors IE2, IE3, IE4

Range: 160 frame to 450 frame

Series Covered: ND, NG, GD and NS

Category	DE Endshield		NDE Endshield		Flange Endshield	
Frame	SKU Code	ALP (₹)	SKU Code	ALP (₹)	SKU Code	ALP (₹)
ND160M	6114127201	2,276	6115127222	1,772	6114117202	6,156
ND160L	6114127201	2,276	6115127222	1,772	6114117202	6,156
ND180M	6122117204	3,328	6122118204	2,549	6122117202	6,669
MD180L	6122117204	3,328	6122118204	2,549	6122117202	6,669
ND200M	6132327201	5,269	6132328201	4,177	6132317202	10,081
ND225S	6143327201	6,601	6143337201	5,621	6143317202	12,380
ND225M	6143327201	6,601	6143337201	5,621	6143317202	12,380
ND250M	6153117201	10,121	6153117201	10,121	6153117202	22,287
ND250MX	6153117201	10,121	6153117201	10,121	6153117202	22,287
ND280S	6164317201	10,020	6164317201	10,020	6164317202	21,142
ND280M	6164317201	10,020	6164317201	10,020	6164317202	21,142
ND280M - 2 pole	6164217201	9,985	6164217201	9,985	6164217202**	22,805
ND315S	6174327201	13,203	6174327201	13,203	6174327202	35,679
ND315M	6174327201	13,203	6174327201	13,203	6174327202	35,679
ND315M - 2 pole	6172127201	13,628	6172127201	13,628	6172127202**	38,229
ND315L	6179427211	18,549	6179427211	18,549		
ND315LX	6179427211	18,549	6179427211	18,549	6179427212	34,811
ND315LX - 2 pole	6178227211**	22,697	6178227211**	22,697	6178227211**	22,697
ND355LX	6182427201	23,561	6182427201	23,561	6182427201	23,561
ND355LX - 2 pole	6182227201	24,214	6182227201	24,214		
ND400LX	6182427209**	37,112	6182427209**	37,112	319051019**	243,780
ND450LX	6192427325**	73,618	6192427325**	73,618		

** Please check delivery time before placing order

#All Cast iron spares will be sold in standard CG shade. Extra charges for separate paint shade



Spares for Safe Area Motors IE2, IE3, IE4

Range: 160 frame to 450 frame

Series Covered: ND, NG, GD and NS

Category	Stator Case - Foot	
Frame	SKU Code	ALP (₹)
ND160M	6114117144	13,877
ND160L	6116317101	22,407
ND180M	6122117101**	23,488
MD180L	6125317101**	27,664
ND200M	6132317101**	34,870
ND225S	6143327101**	37,582
ND225M	6143317101**	43,290
ND250M	6153317101**	67,990
ND250MX	6153327102**	61,474
ND280S	6168227101**	87,277
ND280M	6168217101**	86,923
ND315S	6173417101**	98,908
ND315M	6172417101**	102,863
ND315L	6143327318**	On enquiry
ND315LX	6175427118**	158,903
ND355LX	6181417202**	217,132
ND400LX	6181417208**	On enquiry
ND450LX	6191417105**	On enquiry

Stator Case - Flange	
SKU Code	ALP (₹)
6114117146**	13,981
6116317105**	17,411
6122117105**	20,647
6125317105**	26,679
6132317105**	34,077
6143317105**	43,461
6143317105**	43,461
6153337101**	58,520
6168217105**	79,073
6168217105**	79,073
6172417105**	92,412
6172417105**	92,412
6186417111**	162,816
6182427202**	50,032
6181417211**	On enquiry

** Please check delivery time before placing order

#All Cast iron spares will be sold in standard CG shade. Extra charges for separate paint shade



Spares for Safe Area Motors IE2, IE3, IE4

Range: 160 frame to 450 frame

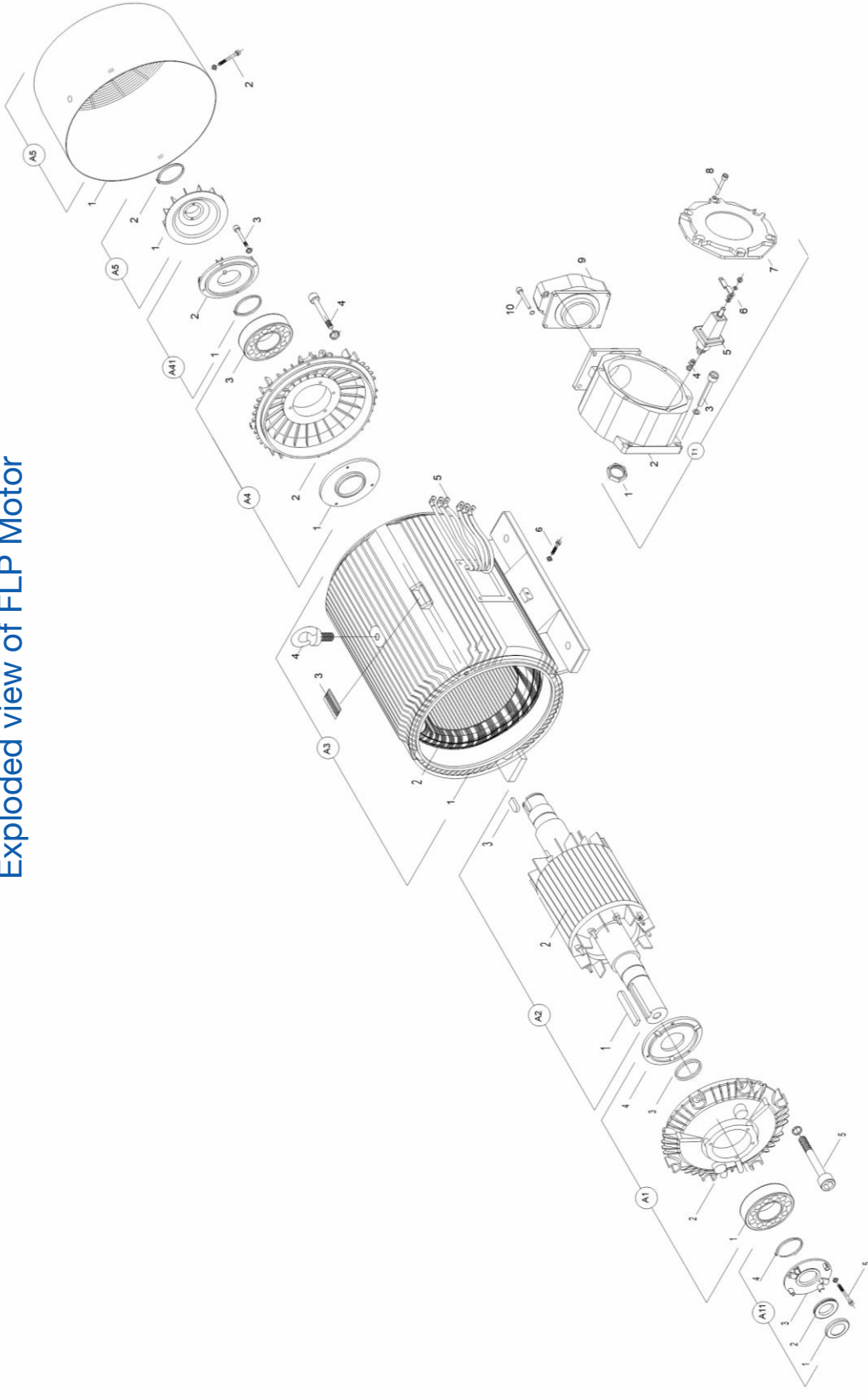
Series Covered: ND, NG, GD and NS

Category		External Fan		Fan Cover		Shaft	
Frame	SKU Code	ALP (₹)	SKU Code	ALP (₹)	SKU Code	ALP (₹)	
ND160M	313087004	189	313031806	1,149	6113112209**	5,445	
ND160L	313087004	189	313031806	1,149	6116312201**	6,740	
ND160L - 2 pole	313087006	134					
ND180M	312087006	232	319031807	1,396	6122112201**	6,986	
MD180L	312087006	232	319031807	1,396	6125312201**	7,391	
MD180L - 2 pole	316087005	236					
ND200M	318087233	413	316031808	2,280	6132512201**	11,094	
ND200M - 2 pole	318087234	324					
ND225S	312087940	619	312031809	2,654	6143313311**	12,347	
ND225M	312087940	619	312031809	2,654	6143312311**	13,823	
ND225M - 2 pole	312029904**	2,405					
ND250M	313087005	697	317031810	3,949	6153312201**	17,940	
ND250MX	313087005	697	317031810	3,949	6153312275**	17,584	
ND250MX - 2 pole	310022521	3,813					
ND280S	318022235	3,337	317031817	5,044	6162313201**	29,582	
ND280M	318022235	3,337	317031817	5,044	6164312007**	28,721	
ND280M - 2 pole	310022521	3,813					
ND315S	314022701	3,604	315031656	8,235	6173412201**	39,160	
ND315M	314022701	3,604	315031656	8,235	6172412201**	37,498	
ND315M - 2 pole	318022227	4,153					
ND315L	310022700	2,882	317031241	15,570	6173412208**	41,035	
ND315LX	310022700	2,882	317031241	15,570	6173412260**	48,067	
ND315LX - 2 pole	318022227	4,153					
ND355LX			314031032**	15,829	6187412240**	127,040	
ND355LX - 2 pole	314022702	2,879					
ND400LX	318056018**	38,840	311056003**	76,840	6292812271**	263,102	
ND400LX - 2 pole	311052024**	25,407					
ND450LX	311052015**	33,682	311056078**	85,209	6185212328**	408,450	
ND450LX - 2 pole	311052026**	26,634					

** Please check delivery time before placing order

#All Cast iron spares will be sold in standard CG shade. Extra charges for separate paint shade

Exploded view of FLP Motor



<p>(A1) DRIVE - END ENDSHIELD ASSLY</p>	<p>(A2) ROTOR ASSLY.</p>	<p>(A3) STATOR ASSLY.</p>	<p>(A4) NON DRIVE - ENDSHIELD ASSLY.</p>	<p>(A5) FAN ASSLY.</p>	<p>(A6) FAN COVER ASSLY.</p>	<p>(T1) TERMINAL BOX ASSLY.</p>
<p>A 1.1 DRIVE END BEARING A 1.2 DRIVE Endshield A 1.3 BRG. SPACER A 1.4 INSIDE BRG. COVER A 1.5 E/SHIELD FIXING HARDWARE</p> <hr/> <p>A11 A 11.1 VRINC CUP A 11.2 V - RING A 11.3 D.E. OUT SIDE BRG. COVER A 11.4 CIRCLIP A 11.5 BRG.CVR FIXING HARDWARE</p>	<p>A 2.1 EXTN. KEY A 2.2 BALANCED ROTOR A 2.3 FAN KEY</p>	<p>A 3.1 STATOR CASE A 3.2 WOUND PACK A 3.3 RATING PLATE A 3.4 EYE BOLT A 3.5 M/G SOCKET A 3.6 EARTHING HARDWARE A 3.7 DRAIN HOLE A 3.8 DRAIN PLUG</p>	<p>A 4.1 INSIDE BRG. COVER A 4.2 ODE END SHIELD A 4.3 ODE BEARING A 4.4 END SHIELD FIXING HARDWARE</p> <hr/> <p>A41 A 41.1 CIRCLIP A 41.2 OUT SIDE BRG. COVER A 41.3 BRG. CVR FIXING HARDWARE</p>	<p>A 5.1 EXTERNAL FAN A 5.2 CIRCLIP</p>	<p>A 6.1 FAN COVER A 6.2 FAN COVER FIXING HARDWARE</p>	<p>T 1.1 STUD FIXING NUT T 1.2 TERMINAL BOX T 1.3 T.BOX FIXING HARDWARE T 1.4 BLOCK FIXING HARDWARE T 1.5 TERMINAL BOX ASSLY. T 1.6 LINK & FIXING HARDWARE T 1.7 TERMINAL BOX COVER T 1.8 COVER FIXING HARDWARE T 1.9 SEALING BOX T 1.10 S/BOX FIXING HARDWARE</p>



Spares for Flameproof Motors IE2, IE3, IE4

Range: 80 frame to 355 frame

Category	DE Endshield		NDE Endshield		Flange Endshield	
Frame	SKU Code	ALP (₹)	SKU Code	ALP (₹)	SKU Code	ALP (₹)
E80	136021038W	839	136021038WRF	851	139021042W	1,626
E90L	139021467W	1,552	139021467WRF	1,564	137021568WN	2,666
E100L	132021469W	2,207	132021469WRF	2,207	137021569WN	3,484
E112M	137021470W	2,807	137021470WRF	2,812	137021570WN	4,074
E132M	139021472W	3,690	133021471WRF	3,752	137021572WN	6,485
E160M	6513127212	3,817	6513127212	3,817	6513127213	8,281
E160L	6513127212	3,817	6513127212	3,817	6513127213	8,281
E180M	6525137201	5,680	6525137201	5,680	6513127221	9,885
E200M	6535327201	7,193	6535327201	7,193	6535317515	11,074
E225S	6546317201	10,259	6546317201	10,259	6546317202**	19,561
E225M	6546317201	10,259	6546317201	10,259	6546317202**	19,561
E250M	6554317201	15,767	6554317201	15,767	6554317202**	24,757
E250M - 2 pole	6554317201	15,767	6554317201	15,767	6554317202**	24,757
E280M	6562327201**	21,640	6562327201**	21,640	6562327202**	30,802
E280M - 2 pole	6562127201**	20,651	6562127201**	20,651	6562127202**	31,998
E315M	6572417201**	26,060	6572417201**	26,060	6572417202**	46,923
E315L	6575427211**	22,095	6575427211**	22,095	6575427212**	44,173
E315L - 2 pole	65722264**	8,766	65722264**	8,766		
E355LX	6572227203**	27,175	6572227204**	27,483	6572227405**	56,950
E355LX - 2 pole	6572227205**	30,811	6572227205**	30,811	6572227305**	On enquiry

** Please check delivery time before placing order

#All Cast iron spares will be sold in standard CG shade. Extra charges for separate paint shade



Spares for Flameproof Motors IE2, IE3, IE4

Range: 80 frame to 355 frame

Category	Stator Case - Foot	
Frame	SKU Code	ALP (₹)
E80	139021037W	3,354
E90L	135021383W	5,940
E100L	135021408W	6,508
E112M	138021499W	7,311
E132M	138021478W**	11,439
E160M	6513127104**	24,988
E160L	6513127144**	32,866
E180M	6525127104**	32,519
E200M	6535327104**	41,558
E225S	6546317101**	41,963
E225M	6549317101**	44,498
E250M	6554317101**	70,019
E280M	6562327101**	113,830
E315M	6572417101**	On enquiry
E315L	6575427103**	237,765
E355LX	6181417102**	297,816

Stator Case - Flange	
SKU Code	ALP (₹)
133021041W**	2,964
138021599W**	5,513
134021501W**	7,079
130021502W**	7,523
134021564W**	12,127
6513117106**	24,022
6513127145**	26,273
6525127106**	34,039
6535317106**	2,565
6549317105**	47,723
6549317105**	47,723
6554317105**	66,792
6562327105**	On enquiry
6572417105**	108,135
6575427106**	On enquiry

** Please check delivery time before placing order

#All Cast iron spares will be sold in standard CG shade. Extra charges for separate paint shade



Spares for Flameproof Motors IE2, IE3, IE4

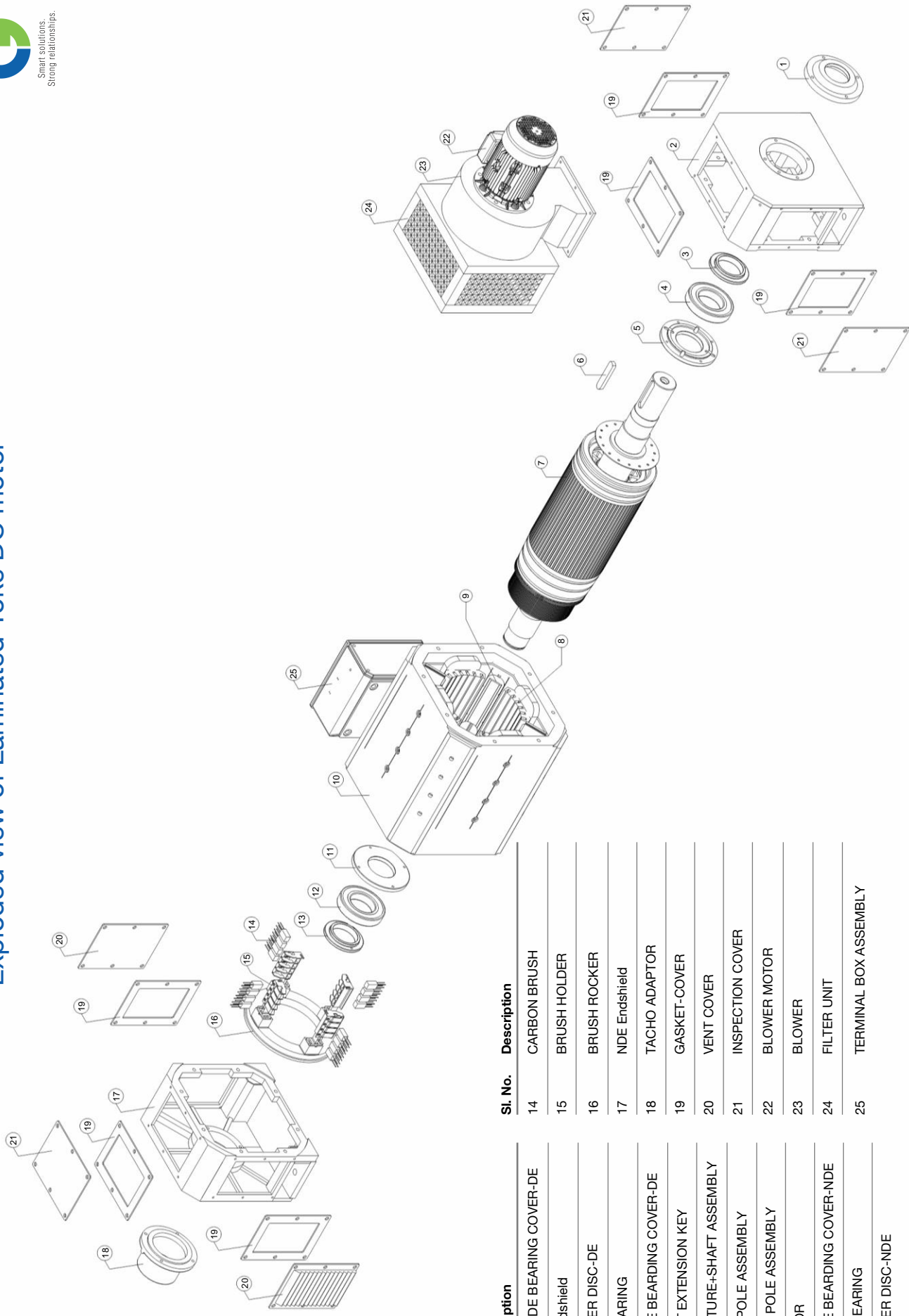
Range: 80 frame to 355 frame

Category	External Fan		Fan Cover		Shaft	
Frame	SKU Code	ALP (₹)	SKU Code	ALP (₹)	SKU Code	ALP (₹)
E80	235031192	172	234031005	301	EX3DAQW2724**	698
E90L	139031102	261	132031303	581	EX3FAQW8418**	1,225
E100L	230031199	347	139031304	795	EX3GAQA10810* *	1,273
E112M	230031199	347	139031120	955	EX3HAQW3737**	1,740
E132M	230031200	379	136031121	1,580	EX3JAQW/7509**	2,879
E160M	310022144	1,161	313031806	1,149	6116312212**	5,956
E160L	310022144	1,161	313031806	1,149	6116312144**	7,430
E180M			319031807	1,396	6522112203**	6,539
E180M - 2 pole	312029915	1,767				
E200M	311029925	2,226	316031808	2,280	6132512204**	10,023
E200M - 2 pole	311029924	2,164				
E225S	312029942	2,877	315031327	8,989	6546312205**	11,883
E225M	312029942	2,877	315031327	8,989	6546312203**	13,220
E225	319022705**	3,248				
E250M	319029943	3,707	319031427	12,204	6554312201**	25,215
E250M - 2 pole	314029951	3,005				
E280M	319029943	3,707	316031531	14,843	6562322201**	30,870
E280M - 2 pole	314029951	3,005				
E315M	310022702	4,754	313031828	16,635	6572412201**	40,189
E315L	310022702	4,754	312031655	14,287	6574422201**	46,629
E315L - 2 pole	318029924	3,185				
E355LX	313031571**	29,750	314031032**	15,829	6187412240**	127,040
E355LX - 2 pole	310022703**	18,361				

** Please check delivery time before placing order

#All Cast iron spares will be sold in standard CG shade. Extra charges for separate paint shade

Exploded view of Laminated Yoke DC motor



Sl. No.	Description	Sl. No.	Description
1	OUTSIDE BEARING COVER-DE	14	CARBON BRUSH
2	DE Endshield	15	BRUSH HOLDER
3	FLINGER DISC-DE	16	BRUSH ROCKER
4	DE BEARING	17	NDE Endshield
5	INSIDE BEARING COVER-DE	18	TACHO ADAPTOR
6	SHAFT EXTENSION KEY	19	GASKET-COVER
7	ARMATURE+SHAFT ASSEMBLY	20	VENT COVER
8	MAIN POLE ASSEMBLY	21	INSPECTION COVER
9	INTER POLE ASSEMBLY	22	BLOWER MOTOR
10	STATOR	23	BLOWER
11	INSIDE BEARING COVER-NDE	24	FILTER UNIT
12	NDE BEARING	25	TERMINAL BOX ASSEMBLY
13	FLINGER DISC-NDE		



Spares for DC Motor

Range: 100 frame to 225 frame

Category	DE Endshield	
Frame	SKU Code	ALP (₹)
ASBG100L	69121230**	3,173
ASBG100M	69121230**	3,173
ASBG100S	69121230**	3,173
ASBG112M	69222430**	4,050
ASBG132L	69322630**	6,519
ASBG132M	69322630**	6,519
ASBG132S	69322630**	6,519
ASBG160A	69427530**	9,793
ASBG160L	69427530**	9,793
ASBG160M	69427530**	9,793
ASBG160S	69427530**	9,793
ASBG180M	69527330**	16,355
ASBG180S	69527330**	16,355
ASBG200M	69627330**	21,367
ASBG200S	69627330**	21,367
ASBG225M	69777330**	25,298
ASBG225S	69777330**	25,298

NDE Endshield	
SKU Code	ALP (₹)
69121240**	3,386
69121240**	3,386
69121240**	3,386
69222440**	4,712
69322640**	8,101
69322640**	8,101
69322640**	8,101
69427540**	13,156
69427540**	13,156
69427540**	13,156
69427540**	13,156
69527340**	16,443
69527340**	16,443
69627340**	23,894
69627340**	23,894
69777340**	27,971
69777340**	27,971

** Please check delivery time before placing order

#All Cast iron spares will be sold in standard CG shade. Extra charges for separate paint shade



Spares for DC Motor

Range: 100 frame to 225 frame

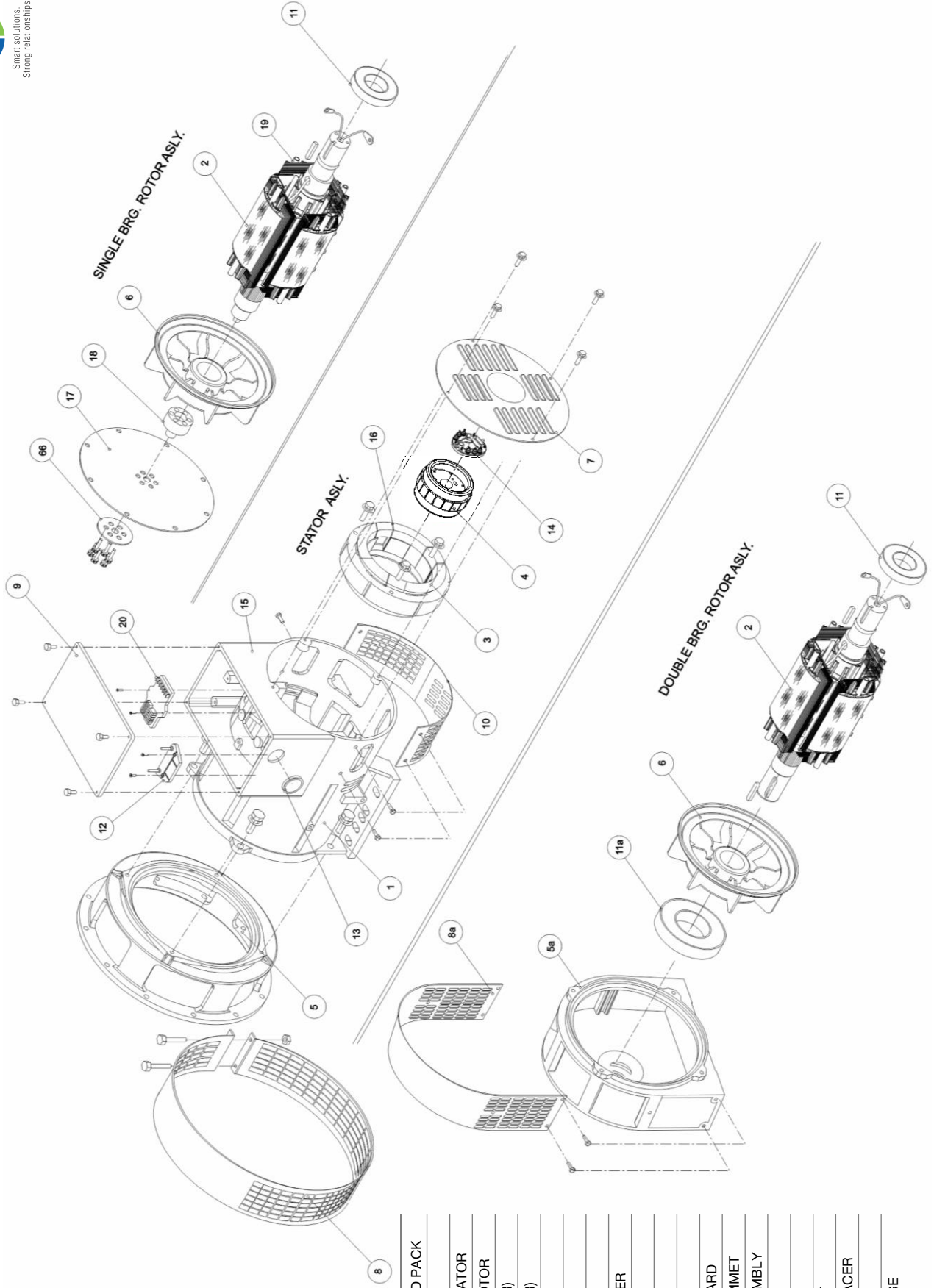
Category	Stator Case - Foot	
Frame	SKU Code	ALP (₹)
ASBG100L	69123919_022**	36,611
ASBG100M	69122219**	29,066
ASBG100S	69121219**	23,694
ASBG112M	69222419**	46,248
ASBG132L	69322619**	65,533
ASBG132M	69321919_025**	54,159
ASBG132S	69320919_033**	44,481
ASBG160A	69429919**	74,204
ASBG160L	69427519**	1,44,791
ASBG160M	69426419**	1,14,070
ASBG160S	69425319**	92,604
ASBG180M	69528513**	81,891
ASBG180S	69527313**	72,203
ASBG200M	69628513**	110,590
ASBG200S	69627313**	98,789
ASBG225M	69728513**	1,70,454
ASBG225S	69777313**	1,47,051

Shaft	
SKU Code	ALP (₹)
69123954**	36,611
69122254**	3,596
69121254**	23,694
69222454**	4,562
69322654**	6,732
69321954_025**	6,183
69320954_033**	5,707
69429954**	16,071
69427554**	16,585
69426454**	15,083
69425354**	13,915
69528554**	22,562
69527354**	21,086
69628554**	35,212
69627354**	32,771
69728554**	46,029
69777357**	2,425

** Please check delivery time before placing order

#All Cast iron spares will be sold in standard CG shade. Extra charges for separate paint shade

Exploded view of Brushless Alternator (160 to 255 frame)

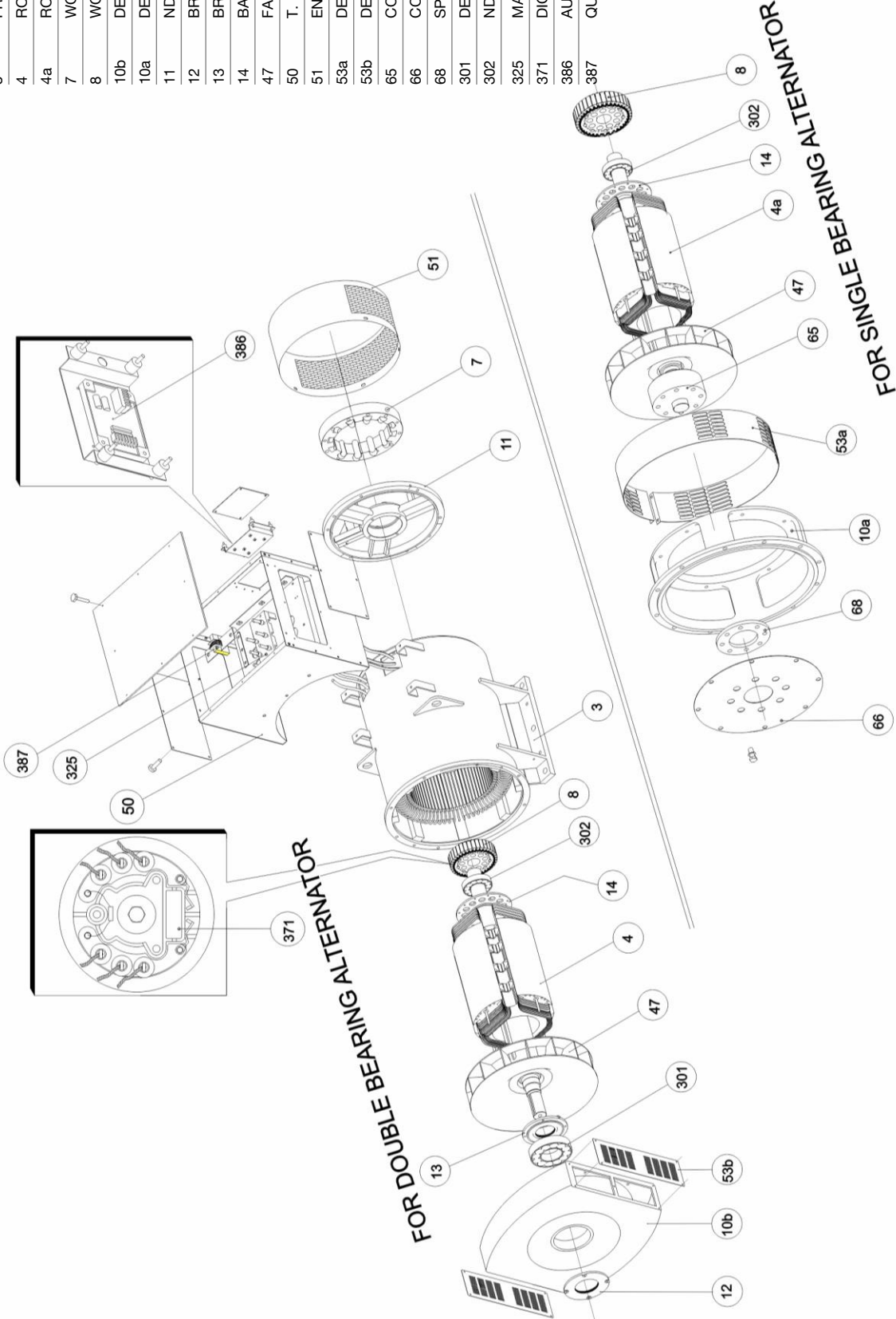


Sl. No.	Description
1	FRAME WITH WOUND PACK
2	ROTOR (Wound)
3	WOUND EXCITER STATOR
4	WOUND EXCITER ROTOR
5	DE END SHIELD (G1R)
5a	DE END SHIELD (G2R)
6	FAN
7	END COVER
8	DE VENT COVER
9	TERMINAL BOX COVER
10	NDE VENT COVER
11	NDE BEARING
11a	DE BEARING
12	MAIN TERMINAL BOARD
13	CABLE ENTRY GROMMET
14	DIODE BOARD ASSEMBLY
15	M/C STATOR
16	EX. STATOR BOBBIN
17	COUPLING DISC SET
18	COUPLING DISC SPACER
19	ROTOR MISC. ITEMS
20	AUTOMATIC VOLTAGE REGULATOR

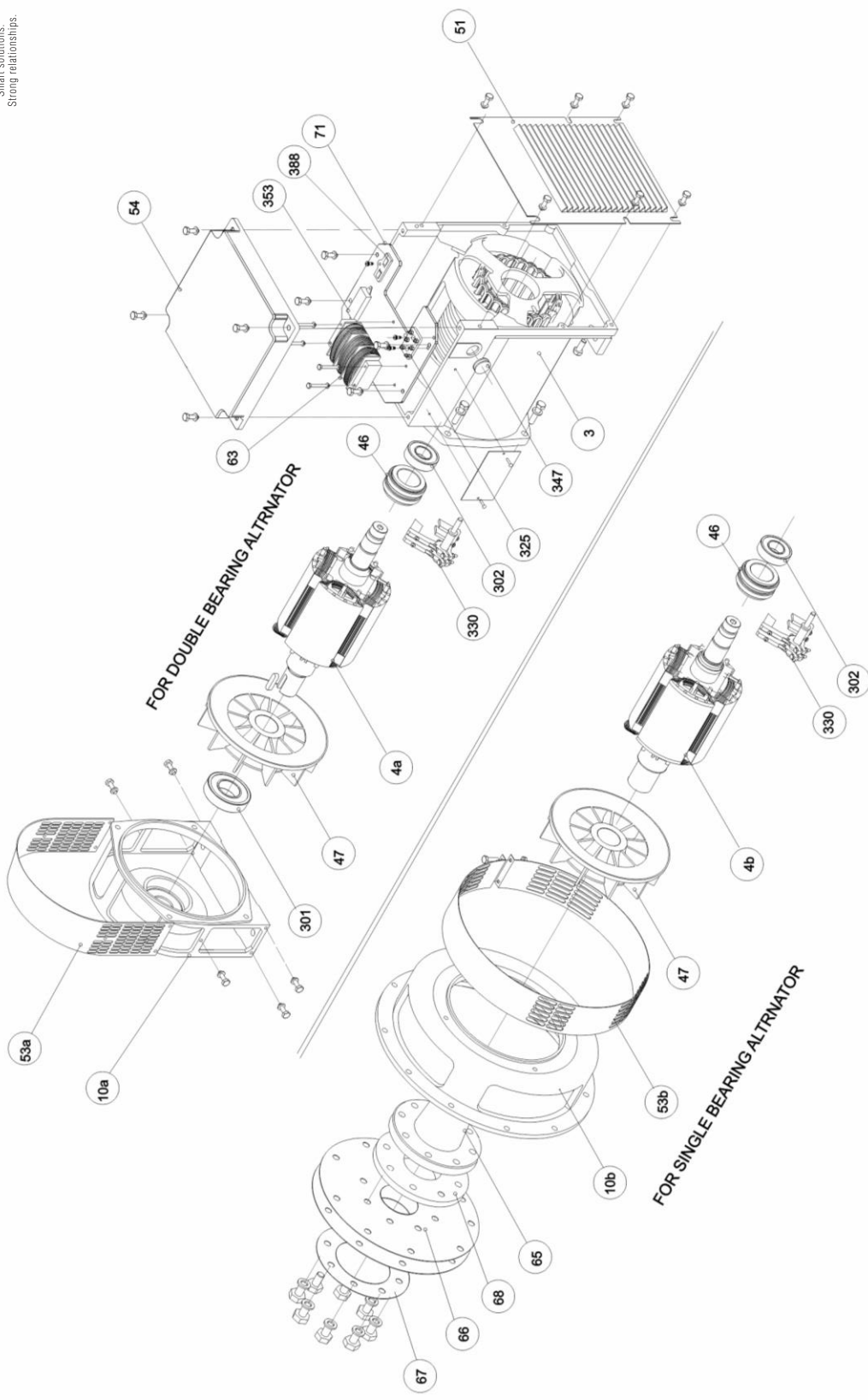
Exploded view of Brushless Alternator (315 to 400 frame)

Sl. No. Description

3	FRAME WITH WOUND PACK
4	ROTOR (WOUND) (G2R)
4a	ROTOR (WOUND) (G1R)
7	WOUND EXCITER STATOR
8	WOUND EXCITER ROTOR
10b	DE END SHIELD (G2R)
10a	DE END SHIELD (G1R)
11	NDE ENDSHIELD
12	BRG COVER DE O/S
13	BRG COVER DE I/S
14	BALANCING RING
47	FAN
50	T. BOX ASSEMBLY
51	END COVER
53a	DE VENT COVER (G1R)
53b	DE VENT COVER (G2R)
65	COUPLING HUB
66	COUPLING DISC SET
68	SPACER (C.DISC)
301	DE BEARING
302	NDE BEARING
325	MAIN TERMINAL BOARD
371	DIODE BOARD ASSEMBLY
386	AUTOMATIC VOLTAGE REGULATOR
387	QUADRATURE DROOP TRANSFORMER



Exploded view of Slipring Alternator



Sl. No.	Description
3	FRAME WITH WOUND PACK
4	ROTOR (WOUND) (G2S)
4a	ROTOR (WOUND) (G1S)
10b	DE ENDSHIELD (G1S)
10a	DE ENDSHIELD (G2S)
46	MOULDED SLIPRING
47	FAN (NYLON)
51	END COVER
53a	DE VENT COVER (G2S)
53b	DE VENT COVER (G1S)
54	TERMINAL BOX COVER
63	WOUND BOBBIN
65	COUPLING HUB
66	COUPLING DISC SET
67	PRESSURE PLATE (DISC)
68	SPACER (DISC)
71	COMPUND PLATE
301	DE BEARING
302	NDE BEARING
325	MAIN TERMINAL BOARD
330	B/H ASSEMBLY
347	CABLE ENTRY GROMMET
353	MOULDED RECTIFIER BRIDGE
388	RECTIFIRE PROTECTION UNIT



Spares for Alternators

Range: 160 frame to 450 frame

Category			NDE Endshield		End Cover	
DE Endshield			SKU Code	ALP (₹)	SKU Code	ALP (₹)
Frame	SKU Code	ALP (₹)	SKU Code	ALP (₹)	SKU Code	ALP (₹)
G1R160SM1	6048243033	5,021	60612432**	2,683	362087017	285
G1R160SM2	6048243033	5,021	60612432**	2,683	362087017	285
G1R160SM3	6048243033	5,021	60622432**	2,605	362087017	285
G1R160SM4	6048243033	5,021	60622432**	2,605	362087017	285
G1R160SM5	6048243033	5,021	60622432**	2,605	362087017	285
G1R200SM1	6069243034**	6,031	60912432**	4,372	362087018	521
G1R200SM2	6069243034**	6,031	60912432**	4,372	362087018	521
G1R200SM3	6069243034**	6,031	60912432**	4,372	362087018	521
G1R200SM4	6069243034**	6,031	60912432**	4,372	362087018	521
G1R250S	6084243032	9,977			361031055	1,293
G1R250M	6084243032	9,977			361031055	1,293
G1R250L	6084243012**	9,553			361031055	1,293
G1R315SE	6008243012**	16,981	60072432**	13,003	361055013**	4,646
G1R315S	6008243012**	16,981	60072432**	13,003	361055013**	4,646
G1R315M	6008243012**	16,981	60072432**	13,003	361055013**	4,646
G1R355SB	6016243012**	27,232	60132432**	15,708	361055020**	6,556
G1R355S	6016243012**	27,232	60132432**	15,708	361055014**	6,357
G1R355M	6016243012**	27,232	60132432**	15,708	361055014**	6,357
G1R355MB	6016243012**	27,232	60132432**	15,708	361055014**	6,357
G1R400S	6016243012**	27,232	60132432**	15,708	361055017	11,359
G1R400M	6056243001**	32,216	60532432**	21,842	361055017	11,359
G1R450S	6066243001**	69,340	60632432**	39,826	361055033**	13,899
G1R450M	6066243001**	69,340	60632432**	39,826	361055033**	13,899
G1R450L	6066243001**	69,340	60632432**	39,826	361055033**	13,899
G2S160S1	60422430**	5,845			361031007**	500
G2S160M1	60422430**	5,845			361031007**	500
G2S200S1	60622430**	8,629			369031002	781
G2S200M	60622430**	8,629			369031002	781

** Please check delivery time before placing order

#All Cast iron spares will be sold in standard CG shade. Extra charges for separate paint shade



Spares for Alternators

Range: 160 frame to 450 frame

Category			External Fan		Shaft		Stator Case - Foot	
Frame	SKU Code	ALP (₹)	SKU Code	ALP (₹)	SKU Code	ALP (₹)	SKU Code	ALP (₹)
G1R160SM1	361087046	1,004	6043643123**	2,768	60502411**	5,543		
G1R160SM2	361087046	1,004	6043743123**	2,861	60042411**	5,743		
G1R160SM3	361087046	1,004	6043843123**	4,704	60002411**	6,208		
G1R160SM4	361087046	1,004	6043943123**	5,232	60102411**	6,637		
G1R160SM5	361087046	1,004	6043043123**	6,336	60082411**	8,488		
G1R200SM1	361087036	1,499	6065342133**	5,586	60022411**	10,528		
G1R200SM2	361087036	1,499	6066342133**	6,147	60052411**	12,381		
G1R200SM3	361087036	1,499	6067342133**	6,680	60062411**	12,900		
G1R200SM4	361087036	1,499	6068342133**	9,475	60012411**	14,982		
G1R250S	60762423	2,571	6075242133**	16,524	60752411**	15,501		
G1R250M	60762423	2,571	6079242112**	17,254	60792411**	17,189		
G1R250L	60762423	2,571	6070242112**	18,916	60702411**	19,083		
G1R315SE	60092433**	14,109	6003242112**	31,085	60032411**	55,362		
G1R315S	60092433**	14,109	6007242112**	34,475	60072411**	59,462		
G1R315M	60092433**	14,109	6009242112**	36,961	60092411**	62,834		
G1R355SB	60192433**	17,597	6012242112**	84,362	60122411**	74,170		
G1R355S	60192433**	17,597	6015242112**	93,900	60152411**	77,773		
G1R355M	60192433**	17,597	6016242112**	1,01,563	60162411**	85,577		
G1R355MB	60192433**	17,597			60192411**	91,408		
G1R400S	60592423**	21,892	6052242112**	1,30,469	60522411**	1,33,044		
G1R400M	60592423**	21,892	6054242112**	1,53,694	60542411**	1,47,750		
G1R450S	60692423**	35,356	6065222112**	2,06,155	60640411**	2,56,220		
G1R450M	60692423**	35,356	6065232112**	2,41,648	60641411**	2,78,509		
G1R450L	60692423**	35,356	6065242112**	2,48,624	60642411**	3,17,537		
G2S160S1	361087070	784	60432421**	5,578	60442411**	5,418		
G2S160M1	361087070	784	60467421**	6,326	60412411**	7,979		
G2S200S1	361087074	1,325	60632421**	8,449	60622411**	9,788		
G2S200M	361087074	1,325	60692421**	11,385	60692411**	13,170		

** Please check delivery time before placing order

#All Cast iron spares will be sold in standard CG shade. Extra charges for separate paint shade



Smart solutions.
Strong relationships.

Misc. Spares for Alternators

SKU Code	SKU Description	ALP (₹)
JD21800931550**	FINISHED ARMATURE ASL355M505 D110 E210	On enquiry
AI9100468323629**	FINISHED ARMATURE AUS280M-005	682,170

Automatic Voltage Regulator (AVR)



SKU Code	SKU Description	ALP (₹)
361260030	AVR MODEL SR-7/3 -1PH ALTERNATORS	3,021
361260081**	AVR MODEL SR-7/3 -1PH 2P ALTERNATORS	3,021
361260011	AVR MODEL SR-7/3 3PH ALT (132-160 FR)	3,681
361126018	AVR MODLE : SR 7/6 , FOR 200/250 FR.	4,775
361260053**	AVR MODEL SR-7/6-1PH (RED) ALT	4,775
361260013	AVR MODEL : UVR-6 FOR 750V RLY. ALT.	7,119
361260058	AVR MODEL:SMR FOR BRUSHLESS ALTERNATOR	7,119
361260104	AVR MODEL:PMR FOR BRUSHLESS ALTERNATOR	12,848
361260086**	UNDERSLUNG AVR CUM OVR (REGULATOR)	52,084

Bridge Rectifier

SKU Code	SKU Description	ALP (₹)
362260008**	BRIDGE RECTIFIER,26MB 120A, 1-PHASE	930
361260001**	BRIDGE RECTIFIER SCD(26MT120A)-3PH 25/08	2,930

Brush Holder

SKU Code	SKU Description	ALP (₹)
361241007**	BRUSH HOLDER ASLY.112	On enquiry
361241002**	BRUSH HOLDER ASLY. G2S132	2,220
361241009**	BRUSH HOLDER ASLY. G2S200/160 (NEW)	2,460

** Please check delivery time before placing order

#All Cast iron spares will be sold in standard CG shade. Extra charges for separate paint shade

SKU Code	SKU Description	ALP (₹)
361232005**	BRG.TEMPERATURE DETECTOR (BTD)	2,540

Capacitor

SKU Code	SKU Description	ALP (₹)
361260009**	CAPACITOR 0.5 MFD (L-L) 3 PH 440 V	201
361260014	TAPPED CAPACITOR (3PH 440V STAR CONN.)	625

Coil Support

SKU Code	SKU Description	ALP (₹)
369031010	MID COIL SUPPORT G2S132	15
368031008	MID COIL SUPPORT G2B-R 160	27
60792426	MID COIL SUPPORT FOR 250 FR (AL BODY)	27
60092426	MID COIL SUPPORT FOR 315/355 FRAME	33
366031003	MID COIL SUPPORT G2B-R 200	38
361041084**	COIL SUPPORT STUD G2R-250(AL.), L=34MM	40

Compound Assembly

SKU Code	SKU Description	ALP (₹)
60651438**	COMPOUND ASSLY G2S200SD 3PH 4P (K63)	On enquiry
60351238**	COMPOUND ASSLY G2S132MD 1PH 4P (S8)	9,610
60421238**	COMPOUND ASSLY.G2S160SB 1PH 4P (S10)	11,890
60691438**	COMPOUND ASSLY G2S200MD 3PH 4P (K82)	15,300
60601438**	COMPOUND ASSLY G2S200SE 3PH 4P (K37)	24,840
60471438**	COMPOUND ASSLY G2S160MC3PH 4P (K25)	28,250
60191438**	COMPOUND ASSLY G2R355MA 3PH 4P (K500)	57,170

Connecting Link

SKU Code	SKU Description	ALP (₹)
360094024**	NEUTRAL LINK 450 FRAME	14,340

** Please check delivery time before placing order

#All Cast iron spares will be sold in standard CG shade. Extra charges for separate paint shade

Coupling Disc Set

SKU Code	SKU Description	ALP (₹)
361031064	C.DISC-10"(SET OF 1 NOS),(160 HUBLESS)	960
361031035**	COUPLG.DISC-10"(SET OF 2 NOS),(132/160	1,150
361031099**	C.DISC-10 (DEEP DRAW) 160 FR.	1,200
361031095**	C.DISC-11.5 (DEEP DRAW) 160 FR.	1,200
361031063	C. DISC-11.5",SET OF 1 NOS,160 (HUBLESS)	1,296
361031043	COUPLG.DISC-10"(SET OF 3 NOS),(200/250	1,377
361031011**	C.DISC-10 (DEEP DRAW) 14 BORE	1,680
361031068**	COUPLG.DISC-10"(SET OF 3 NOS),(H.LESS)	1,771
361031034	COUPLING DISC-11.5",SET OF 3 NOS-200/2	1,872
361031033**	COUPLING DISC-11.5",SET OF 2 NOS,132/1	2,060
361031052**	COUP.DISC SAE-11.5"(4 NOS SET)120mm BO	2,180
361031069	COUPLG.DISC-11.5"(SET OF 3 NOS),(H.LESS)	2,227
361031094	C.DISC-10"(SET OF 3 NOS),(17 BORE)	2,500
361031093	C.DISC-11.5"(SET OF 3 NOS),(17 BORE)	2,690
361031018**	COUPLING DISC 14",SET OF 3 NOS.(200/25	3,194
361031042**	C.DISC-14" SET OF 4NOS(280L/315) 120BO	3,967
361031075**	C.DISC-14" SET OF 6 NOS.(400 FR.)140 BOR	6,066
361031088**	C. DISC 18" SET OF 6 NOS.450 FR.(160 BO)	9,302

Coupling Pressure Disc

SKU Code	SKU Description	ALP (₹)
361034055**	PRES. PLATE (BORE 17) HUBLESS FR. 200S1	460

DE Endshield

SKU Code	SKU Description	ALP (₹)
6069243021**	M/CD DE E/S G1R200SM SAE2	8,110

** Please check delivery time before placing order

#All Cast iron spares will be sold in standard CG shade. Extra charges for separate paint shade

Diode Board Assembly



SKU Code	SKU Description	ALP (₹)
60692489**	DIODE BOARD ASLY. KIT (G1R200SM)	390
36126016**	DIODE BOARD ASLY. PCB TYPE	926
60392495**	DIODE BOARD ASLY 160SM FR.	1,620
60792495	DIODE BOARD ASLY 160/200SM FR.	1,621
60692495	DIODE BOARD ASLY.-160/200/250/280	1,940
60092495	DIODE BOARD ASLY.-315/355 (New)	3,229
60592495**	DIODE BOARD ASLY.-400 FR.	9,014

End Cover

SKU Code	SKU Description	ALP (₹)
362087014	END COVER G2S132 (plastic)	136
361034008	END COVER DE G1R160C	453

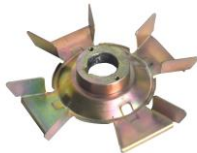


Endshield

SKU Code	SKU Description	ALP (₹)
6047343033	M/CD DE E/S G1R160C SAE3 NEW	5,943
6069243012	M/CD DE E/S G1R200 SAE3-ROUND	6,123
6084243023	M/CD DE ENDSHIELD G1R250/SAE2(ROUND)	9,272

Ex. Stator Bobbin

SKU Code	SKU Description	ALP (₹)
363087006**	EX.ST.BOBBIN G2R/B-200	60



External Fan

SKU Code	SKU Description	ALP (₹)
361087060	NYLON FAN G2S/G1S 132	392
361087096	MINERAL FILLED NYLON FAN G1R160C FR.	737
60772424**	NEW M/C. AL. SINGLE BRG. FAN 250-AL BODY	6,010
60782423**	M/CD UNIDIRECTION AL FAN G2R250 AL BODY	7,670

** Please check delivery time before placing order

#All Cast iron spares will be sold in standard CG shade. Extra charges for separate paint shade

Magnet

SKU Code	SKU Description	ALP (₹)
361049021**	MAGNET 38 X 10 X 8 FR. G1R315/355	On enquiry
361049029**	MAGNET 14.9 X 10 X 8 FR. G1R160C/200S1	820
361049031**	MAGNET 24.9 X 10 X 8 FR. G1R200/250	920
361049022**	MAGNET 53 X 10 X 8 FR. G1R355-450	980

Mid Coil

SKU Code	SKU Description	ALP (₹)
361041054**	MID COIL SPRT STUD G2B-R200	160
362041002**	MID COIL SPRT STUD G2B 160	160

MOV

SKU Code	SKU Description	ALP (₹)
360260004**	MOV RDN440/14	90
360260005**	MOV RDN440/20	90

Over Frequency Relay

SKU Code	SKU Description	ALP (₹)
361260079	OVER FREQUENCY RELAY FOR RLY_355	10,186

Over Voltage Relay

SKU Code	SKU Description	ALP (₹)
361260043	OVER VOLTAGE RELAY FOR RLY_355	42,858

Potentiometer

SKU Code	SKU Description	ALP (₹)
361260024**	WIRE WOUND POTETIOMETER. 150 OHM,250W	14,050

** Please check delivery time before placing order

#All Cast iron spares will be sold in standard CG shade. Extra charges for separate paint shade

Pressure Plate

SKU Code	SKU Description	ALP (₹)
361034070	PRESSURE PLATE (BORE.16.0) HUBLESS	254

QDCT

SKU Code	SKU Description	ALP (₹)
361260101	QDC-CT 400/5A FOR ALT-180-400 kVA	3,551
361260102	QDC-CT 600/5A FOR ALT-500-750 kVA	3,653
361260100**	QDC-CT 300/5A FOR ALT-100-160KVA	3,930
361260054**	Quadrature Droop transformer (250 to355)	3,930

Rotor Frontal

SKU Code	SKU Description	ALP (₹)
368087002	ROTOR FRONTAL 200 FRAME	29
365087016	ROTOR FRONTAL G2S132	101
362087009	ROTOR FRONTAL 160 FRAME 4 POLE	247

Socket

SKU Code	SKU Description	ALP (₹)
361032051**	CCTUS16A CU TUBULAR SOCKET- 6/M10	60

Spacer

SKU Code	SKU Description	ALP (₹)
367087010	WINDING SPACER 160 FRAME	16
364087003	WINDING SPACER 200 FRAME	20
361049014	SPACER FOR SAE-10",160/200S1 (HUBLESS)	274
361049026	SPACER FOR SAE10 FRAME 160C	460
361049027**	SPACER FOR SAE-10",200S1 (BORE 17)	490
361049004**	SPACER FOR SAE 10 & 11.5 G1R250 FR.	1,830
361036046**	SPACER FOR SAE 18 G1R450 FR.	5,860

** Please check delivery time before placing order

#All Cast iron spares will be sold in standard CG shade. Extra charges for separate paint shade

Stator Case



Smart solutions.
Strong relationships.

SKU Code	SKU Description	ALP (₹)
60464411**	M/CD STATOR 160C2	13,350
60494411**	M/CD STATOR 160C5	19,960
60482411**	M/CD STATOR 160 M2	33,360
60652411**	M/CD STATOR 200S (AL BODY)	42,330

Terminal Block

SKU Code	SKU Description	ALP (₹)
369086026**	T.BOARD ASLY. M6x3 160 FRAME	290
369086024	T.BOARD ASLY. M8x3 G2S200 FRAME	359
361086061**	MOULDED T.BOARD G2R315 (M12-6 TERM.) NEW	1,530
361086062**	MOULDED T. BOARD G2R315 (M12-8 TERM.)NEW	1,830
361087094**	EPOXY GLASS LAM. T.BOARD - G2R355 FRAME	2,060

Terminal Box

SKU Code	SKU Description	ALP (₹)
361055070	TERM. BOX ASSLY G1R160 (SHEET METAL)	1,683

Terminal Box Assembly

SKU Code	SKU Description	ALP (₹)
361055079**	TERM. BOX ASSLY G1R200 (SHEET METAL)	2,990
361055011**	TERM. BOX ASSLY G2R315SM(TOP MOUNT TYPE)	28,450
361055016**	TERM. BOX ASSLY G2R/G1R-400	32,260
361055004**	TERM. BOX ASSLY G2R/G1R-355	36,140

Terminal Box Cover

SKU Code	SKU Description	ALP (₹)
361034019**	T.BOX COVER G2S132 (SHEET METAL)	770
361055028**	TERM. BOX TOP COVER G1R315	2,880

** Please check delivery time before placing order

#All Cast iron spares will be sold in standard CG shade. Extra charges for separate paint shade

Vent Cover

SKU Code	SKU Description	ALP (₹)
363034003**	VENT COVER DE G2R160,IP23	100
361034106**	160SM SAE3 ROUND VENT COVER	On Enquiry
361034085**	160S1/SAE 4 & 5 (ROUND E/S) VENT COVER	231
361034026**	200C SAE3 ROUND VENT COVER	On Enquiry
313034079**	VENT COVER C200-159M	260
361087067**	VENT COVER NDE 160 Fr.IP23 (2-LOUVERS)	290
361087068**	VENT COVER NDE 200 Fr.IP23 (2-LOUVERS)	290
361034093**	VENT COVER ROUND G2R132	297
362034006	VENT COVER NDE G2R/G1R-160 ,IP23	329
361034092**	VENT COVER ROUND G2R160	335
366034005	VENT COVER NDE G2R/G1R-200,IP23	426
361034047**	VENT COVER NDE G2R/G1R-250,IP23(AL.BODY	590
361034021**	VENT COVER DE 200-SAE2 & 3 ROUND	1,087
361034086**	VENT COVER DE G1R250, SAE2,3 (ROUND)	1,520
313034085**	VENT COVER C250 IP21	1,927
313034086**	VENT COVER C315 IP21	2,311
361034042**	VENT COVER DE G1R355, IP23- SAE1 & 1/2	2,640
361034088**	VENT COVER DE G1R400-SAE 1 & 0	3,710

Voltage sensing kit

SKU Code	SKU Description	ALP (₹)
60400401**	RLY ALT VTG sensing kit WITH EBM CABLES	910

Washer for disc

SKU Code	SKU Description	ALP (₹)
361031031**	WASHER FOR DISC-10 (DEEP DRAW) 14 BORE	410
361031096**	WASHER FOR DISC-10 (DEEP DRAW) 160 FR.	480

** Please check delivery time before placing order

#All Cast iron spares will be sold in standard CG shade. Extra charges for separate paint shade

SKU Code	SKU Description	ALP (₹)
361087034	RT.WDG.SUPPORT-BOTTOM (L-TYPE) 355 FRAME	40

Wound Exciter Rotor

SKU Code	SKU Description	ALP (₹)
60312425**	WOUND EXCITER RT 132 CL 35mm	5,450
60462425**	WOUND EXCITER RT 200SM1 CL35	8,590
60482450**	WND EX. RT. CL25 G2R160 (with Diode)	8,787
60492450**	WND EX. RT. CL35 G2R160 (with Diode)	10,716
60472425**	WOUND EXCITER RT 200SM CL55	11,150
60992450**	WND EX. RT. CL50 G2R200-280 (with Diode)	12,731
60092450**	WOUND EXCITER RT G2R315 CL50(WITH DIODE)	26,950
60162450**	WOUND EXCI RT G2R-355(255.8 OD) W DIODE	33,662
60162425**	WOUND EXCITER RT G2R-355 (255.8 OD)	42,810
60552450**	WND EX. RT. CL50 G2R400S (with Diode)	42,823
60542450**	WND EX. RT. CL75 G2R400M (with Diode)	50,446
60572425**	WOUND EXCITER RT G2R-450 CL100	51,935
60452425**	WOUND EXCITER RT 160SM CL25	On Enquiry

Wound Exciter Stator

SKU Code	SKU Description	ALP (₹)
60312416**	WOUND EXCITER ST 132 CL 35mm	7,680
60452416**	WOUND EXCITER ST 160SM CL25	11,110
60482416	WOUND EXCITER ST 160S1 CL25	12,151
60492416	WOUND EXCITER ST 160 CL35	14,163
60472416**	WOUND EXCITER ST 200SM CL55	17,993
60992416**	WOUND EXCITER ST CL50 G2R 200/250/280	18,745
60092416**	WOUND EXCITER ST G2R-315 CL50	34,219
60162416**	WOUND EXCITER ST G2R-355 (368 OD)	41,604
60172414**	WOUND EXCITER ST G2R-355 (368 OD)_ RLY	55,480
60542416**	WOUND EXCITER ST G2R-400 FR.	62,442
60462416**	WOUND EXCITER ST 200SM1 CL35	On Enquiry

** Please check delivery time before placing order

#All Cast iron spares will be sold in standard CG shade. Extra charges for separate paint shade



Smart solutions.
Strong relationships.

Misc. Spares for AC Motors

Adapter plate

SKU Code	SKU Description	ALP (₹)
3151641003**	ADAPTOR PLATE - NG132_160	730
313025201**	M/C ADAPTOR PLATE 160-259A	1,580
3151641010**	ADAPTOR PLATE - ND132_160 SPLIT TB	2,390
63541280**	M/C ADAPTOR PLATE FOR ND225	On Enquiry
63541281**	M/C ADAPTOR PLATE FOR ND250-280	On Enquiry
65563185**	E250-80Z M/CD ADAPTER PLATE	4,290
6122117209**	M/CD FLG ADAPTOR ND-180 OPEN TYPE-ELGI	6,360

Barrier Plate

SKU Code	SKU Description	ALP (₹)
318086205**	BAKELITE BARRIER PLATE E250 DIA13X4HOLES	270
318086206**	BAKELITE BARRIER PLATE E250 DIA8X4HOLES	270
317086005**	BARRIER PLATE 200-38 RLY REF.1(ND180/200	290



Bearing Cover (1/4)

SKU Code	SKU Description	ALP (₹)
315153001**	BEARING CAP 80 STEEL	50
315151001**	BEARING CAP 63 & 71 STEEL	50
315154001**	BEARING CAP 90 STEEL	50
315155001**	BEARING CAP 100-112NDE & 90DE STEEL	60
315157001**	BEARING CAP 132NDE & 100/112DE STEEL	70
311056026	V RING CUP_6315 BEARING	85
233031182**	INSIDE BRG COVER MS ND100	110
233031186**	INSIDE BRG COVER MS ND112	140
318031923	PRESSED I/S BRG COVER ND160	166
233031187**	INSIDE BRG COVER MS ND132	170
130021034W**	BRG. COVER M/CED O/S NDE D112-141W	190
235314811W**	M/C BRG COVER 4811	200
130021401W	BRG. COVER M/CED C112-140	237
139021122W	BRG. COVER M/CED D112-139B	255

** Please check delivery time before placing order

#All Cast iron spares will be sold in standard CG shade. Extra charges for separate paint shade

Bearing Cover (2/4)



SKU Code	SKU Description	ALP (₹)
61121261**	I/S BRG COVER ND160-138MA SP HT 2.0	320
61221179**	M/C BRG CVR ND180-138M I/S SP HT2.0 ELGI	330
61121167**	ND160-139M M/C BRG CVR O/S ODE SP HT 5.8	380
61344163**	ND200-139MB M/CD BRG CVR O/S ODE	On Enquiry
61121163	M/C BRG CVR ND160-138MA I/S DE SPHT 5.8	475
61221164	ND180-138M M/CD BRG CVR I/S ODE SP HT 2	475
61221163	M/C BRG CVR ND180-138M I/S DE SP HT 6mm	475
315153002	BEARING CAP DE LOCK 80 FR - M.S.	486
65131161	E160-139MB MC/D BRG CVR O/S DE 4.85/4.75	558
65131162	E160-139MB MC/D BRG CVR O/S ODE SP. 3	558
65131163	E160-138M MC/D BRG CVR I/S DE/ODE	568
61121161	ND160-139M M/C BRG CVR OS DE SPHT 4.5	589
61121162	ND160-139M MC/D BRG CVR O/S ODE	589
65223162	E180-139MB MC/D BRG CVR O/S ODE SPHT 6.5	602
65223161	E180-139MB MC/D BRG CVR O/S DE SPHT 3.0	677
65223166	E180-139MB M/C BRG CVR O/S ODE(NE) SP 3.	677
65223164**	BEARING COVER NE180 DE O/S SP HT 6.4	700
61221161	ND180-139M M/CD BRG CVR O/S DE SP HT 4.5	704
61723167**	ND315-138M MC/D BRG CVR I/S ODE SP 5.7	On Enquiry
6213426401	ND160-138ISR MC/D BRG CVR I/S ODE SP 4.5	731
65223167**	E180-139MB MC/D BRG CVR O/S DE OLGA 6.4	740
64221162**	ND180-139M ODE O/S B/C SR MOTOR SP 5.2	760
61221162**	ND180-139MB MC/D BRG CVR O/S DE & ODE.	760
61323163	ND200-138M M/CD BRG CVR I/S DE 6.5 SP HT	780
61323164	ND200-138M M/CD BRG CVR I/S ODE 2. SP HT	780
61721263	315-138MK 2P MC/D B/CVR I/S DE/ODE SP4.8	789
65223163	E180-138MA M/C BRG CVR I/S DE/ODE SP 6.4	812
61323166**	ND200-138M M/CD BRG CVR I/S ODE 6.4mm	870
61323168**	ND200-138M M/CD BRG CVR I/S DE TMB 3.5mm	890
6153116301	M/C I/S BRG CVR DE/ODE ND250-138N SP 4.8	920
61625163	280-138M M/CD B/C I/S DE SP HT 4.8	993
61433163	ND225-138M M/CD DE INSIDE BRG CVR_7.5	1,004
61433164	ND225-138M M/CD DE INSIDE BRG CVR_7.5	1,004
61344161	ND200-139MB M/CD BRG CVR O/S DE SPHT 6.2	1,011

** Please check delivery time before placing order

#All Cast iron spares will be sold in standard CG shade. Extra charges for separate paint shade

Bearing Cover (3/4)



SKU Code	SKU Description	ALP (₹)
61344162	ND200-139MB M/CD BRG CVR O/S ODE SP 9.7	1,011
65353162**	E200-139MB MC/D BRG CVR O/S ODE	1,040
63213162	C180-141M MC/D BRG CVR O/S ODE ND200	1,042
61625164	280-138M MC/D BRG CVR I/S ODE	1,046
65463161	E225-139M MC/D NDE O/S BRG CVR SP HT 4.5	1,066
65463162	E225-139M MC/D DE O/S BRG CVR SP HT 6.5	1,066
6143316321	ND225-138M M/CD ODE INSIDE BRG CVR_2.8	1,074
61344164**	ND200-139MB M/CD BRG CVR O/S DE	1,120
65353161	E200-139MB BRG CVR O/S HT 4.4 DE&ODE IIB	1,140
64324162	ND225-139M M/C DE O/S BRG CVR SP 5.5	1,221
311026632	ND315-139G AL O/S BRG CVR NDE SP HT 4.0	1,222
311026732	ND315-139G AL. BRG CVR O/S SP HT 9.0	1,227
61344169**	ND200-139MB M/CD BRG CVR O/S DE TMB	1,330
65463173	E225-138M MC/D I/S BRG CVR DE SP HT 6.5	1,439
65463163	E225-138M MC/D I/S BRG CVR NDE SP HT 4.5	1,470
311026832**	ND315-139G AL BRG CVR O/S SP HT 7.0	1,470
65353165**	E200-138M M/C NE BR CVR I/S-DE- 8.2 REF2	1,480
65543162**	E250-139MB 2P/4P B/CVR O/S ODE SP HT 3.3	1,590
62624164	280-138M ISR MC/D BRG CVR I/S ODE	1,611
61635561	ND280-139N-MC/D BRG CVR O/S SP HT 4.0	1,631
61635661	ND280-139N-MC/D BRG CVR O/S SP HT 9.0	1,631
65353163	E200-138M M/C BRG CVR I/S NDE-6.5 REF-1	1,641
6185216301	ND355-138M/2 M/CD BRG CVR I/S SP HT 6.4	1,661
61723164	ND315-138M MC/D BRG CVR I/S ODE SP 4.85	1,674
61723163	ND315-138M MC/D BRG CVR I/S SP HT 4.8	1,674
65543161	E250-139MB 2P/4P M/C B/CVR O/S ODE 7.5	1,679
65623361	E280-139MB MC/D B/COVER O/S DE SP 3.0	1,727
65623261	E280-139MB MC/D B/COVER O/S DE SP 8.0	1,727
6185226202**	ND355-139S M/CD BRG CVR O/S NDE SPHT 4.0	On Enquiry
311026633**	ND315-139G/2 AL BRG COVER SP HT 4.0	1,740
311026643**	ND315-139G/2 AL BRG COVER SP HT 9.0	1,790
6185276301	M/CD BRG COVER DE O/S ND355-2P SP HT 6.5	1,797
319023910**	ND400-139/2 DE O/S BEARING COVER_6318	1,818
319023922**	ND400-139/2 NDE O/S BEARING COVER_6318	1,818

** Please check delivery time before placing order

#All Cast iron spares will be sold in standard CG shade. Extra charges for separate paint shade

Bearing Cover (4/4)



SKU Code	SKU Description	ALP (₹)
65724262	E315-139MB MC/D B/CVR O/S DE SP 3.0	1,874
65724161	E315-139MB MC/D B/CVR O/S DE SP HT 6.5	1,874
6153126101	M/CD ODE O/S BRG COVER ND250-139N SPHT 4	1,883
6153126102	M/CD DE O/S BRG COVER ND250-139N SPHT 9	1,883
6186416105**	M/CD BRG O/S COVER ND355-139MB SP HT 12	2,020
65621263	E280-138M/2 M/C BRGCVR I/S DE/ODE SP 7.1	2,069
6185416301	ND355-138M M/CD BRG CVR NDE I/S SPHT 6	2,762
6185416309**	ND355-138M M/CD BRG CVR DE I/S SP HT 8	3,090
65724164**	E355-139MB MC/D B/CVR O/S DE	3,194
65724165**	E355-139MB MC/D B/CVR O/S ODE	3,194
65724163**	E315-138M MC/D B/CVR I/S DE/ODE SP 6.5	3,215
6186416102	M/CD BRG O/S COVER ND355-139MB SP HT 8	3,304
6185436301	ND355-138S M/CD BRG CVR I/S DE	3,763
65724162**	E355-138M MC/D B/CVR I/S DE/ODE	3,868
6185226201**	ND355-139S M/CD BRG CVR O/S DE SP HT 7.1	4,032
65724167**	E400-139MB/2 MC/D B/CVR O/S DE 2 POLE	4,170
65724168**	E400-139MB/2 MC/D B/CVR O/S ODE 2 POLE	4,890
65724166**	E400-138M/2 MC/D B/CVR I/S DE/ODE 2 POLE	4,890
65724264**	MC/D BRG HSG I/S DE/ODE E315-138MH	8,243
65724169**	E400-138M MC/D B/CVR I/S DE/ODE 4P & UP	8,340
319023909**	ND400-138/2 I/S BEARING COVER (6318)	11,358
315053058**	FAB DE AND NDE I/S BRG COVER E355LX IIC	26,000

Bearing Isolator

SKU Code	SKU Description	ALP (₹)
316123025**	BRG ISOLATOR VBXX-D (6312)	115,260

** Please check delivery time before placing order

#All Cast iron spares will be sold in standard CG shade. Extra charges for separate paint shade

Brake

SKU Code	SKU Description	ALP (₹)
3162631508**	DC BRAKE SIZE 8/S10 HUB-15mm (10Nm)	12,740
3162601011**	DC BRAKE BFK458-06E 05Nm Ø15MM INTORQ	13,010
3162632008E**	DC BRAKE - SIZE 08(10NM) HUB Ø20-EMCO	16,270
3162642410**	DC BRAKE SIZE10/S20 HUB 24mm (20Nm)	18,590
3162652812**	DC BRAKE SIZE 12/S35 HUB 28mm (35Nm)	19,580
3162662814E**	DC BRAKE - SIZE 14(60Nm) HUB Ø28 EMCO	30,400
3162673516I-S**	BFK458-BRK-16E-100Nm-Ø35-205VDC-SHAFT SE	39,140
3162673516**	DC BRAKE-16-100Nm-HUBØ35-190VDC+OIL SEAL	42,530
3162673816**	D.C BRAKE SIZE 16/S85 HUB 38mm (85Nm)	46,700
316032319**	DC BRAKE 18.32 MANUAL REL SCREW	96,180

Brake Adapter

SKU Code	SKU Description	ALP (₹)
6114117218**	M/C BRAKE ADAPTER -ND 160-BRAKE SIZE 20	On enquiry
6114117219**	M/C BRAKE ADAPTOR-ND160-BK SIZE 18-NORD	4,810

Brush Gear Assembly

SKU Code	SKU Description	ALP (₹)
231251028**	BRUSH GEAR ASSLY NDW112	3,260

** Please check delivery time before placing order

#All Cast iron spares will be sold in standard CG shade. Extra charges for separate paint shade

Brush Holder



Smart solutions.
Strong relationships.

SKU Code	SKU Description	ALP (₹)
134171001	CARBON BRUSH SPRING DW132	73
135086041	BRUSH HOLDER SPINDLE M6 STUD	112
318086023	MOULDED BRUSH HOLDER BRACKET NDW160-200	382
134032002	BRUSH HOLDER STMPG/ASSEMBLY BRASS DW132	500
317042610	BRUSH HOLDER SPINDLE FOR NDW225 TO 400	1,145
314042607**	BRUSH HOLDER FOR 160/200 NGEF	1,220
378042555**	ASBG200 SCHUNK BH 4x20x25 (L=155.5)	3,800
311042711	BRUSH HOLDER NDW225-250 ISR	3,852
316042702	BRUSH HOLDER NDW280-400	3,968
378042551**	ASBG180 SCHUNK BH 3X16x25 (L=128.5)	10,690
378042552**	ASBG200 SCHUNK BH 4x16x25 (L=155.5)	11,690

BTD

SKU Code	SKU Description	ALP (₹)
313032521**	BTD DUPLEX TYPE 190L(60)	3,175
313032502**	BTD DUPLEX TYPE 200L(30)	3,215
313032503**	BTD DUPLEX TYPE 225L(30)	3,215
313032508**	BTD DUPLEX TYPE 220L(70)	3,294
313032509**	BTD DUPLEX TYPE 250L(80)	3,453
313032510**	BTD DUPLEX TYPE 270L(80)	3,453
313032520**	BTD DUPLEX TYPE 155L(30)	3,560

Canopy

SKU Code	SKU Description	ALP (₹)
319033613**	MS CANOPY NG132M FOOT MTG LHS TB	1,340
233031228**	MS CANOPY ND132S TB RHS	1,730
319033527**	MS CANOPY NG132M FOOT MTG - RHS	2,500
131031393**	MS CANOPY MS E132M TB RHS	3,170
319033155**	MS CANOPY E/ND280 FOOT RHS	5,310
319033505**	FRP CANOPY ND225S/M FOOT MTG.	10,500

** Please check delivery time before placing order

#All Cast iron spares will be sold in standard CG shade. Extra charges for separate paint shade

Canopy fan cover

SKU Code	SKU Description	ALP (₹)
139031385**	CANOPY FAN COVER ND90	2,440
133031356**	CANOPY FAN COVER ND100	2,690
130031382**	CANOPY FAN COVER ND112	3,060
318033794**	CANOPY FAN COVER NE180 V1	3,290
313031162**	CANOPY FAN COVER PC160	3,500
139031386**	CANOPY FAN COVER E90	3,620
133031384**	CANOPY FAN COVER ND132	3,660
139031387**	CANOPY FAN COVER E112	4,910
139031388**	CANOPY FAN COVER E132	5,350
138031355**	CANOPY VERTICAL MS E132M HW2809I1	8,550

Conduit

SKU Code	SKU Description	ALP (₹)
317086117**	INTERFLEX CORRUGATED FLEXIBLE CONDUIT	2,020

Conduit Plate

SKU Code	SKU Description	ALP (₹)
136021186S**	CONDUIT PLATE CI E90-80D EW2049	520
65463184	E225-80D M/CD CONDUIT PLATE	1,341
65431185	E225-190S M/CD CONDUIT PLATE	2,872

Conduit Plug



SKU Code	SKU Description	ALP (₹)
315086101**	PVC CONDUIT PLUG 1" BSC	10
315086104	PVC CONDUIT PLUG M50X1.5P	37
315086121	ASS PVC CONDUIT R/D PLUG M25X1.5P+ORING	47
315086103**	PVC CONDUIT PLUG M40X1.5P	50
315086105**	PVC CONDUIT PLUG M63X1.5P	70
311056201**	METALLIC PLUG M20X1.5 GR IIC KAYSONS MAK	330
311056211**	METALLIC PLUG M32X1.5 GR IIC KAYSONS MAK	630
311056212**	METALLIC PLUG M75X1.5 GR IIC KAYSONS MAK	1,590

** Please check delivery time before placing order

#All Cast iron spares will be sold in standard CG shade. Extra charges for separate paint shade

SKU Code	SKU Description	ALP (₹)
3122510001	TERMINAL LINKS 63 TO 100	7
3122560001	TERMINAL LINKS 132 & 112	10
317036069	CONN. LINK 100-132TERMINAL BOARD	12
317036070	CONN. LINK 160-180TERMINAL BOARD	52
314036091	Z TYPE CONNECTING LINK 160-180	89
317036071	CONN. LINK 200 TERMINAL BOARD	90
317036073	CONN. LINK 225-250 TERMINAL BOARD	164
314036070	CONNECTING LINK 200-250	216
317036074	CONN. LINK 280-315 TERMINAL BOARD	281
314036065	CONNECTING Z LINK 250-131_M10 TYPE E	516
317036093	CONNNECTING LINK FOR 315-38 BOX	609
317036095**	CONNNECTING LINK E315L.	620
317036072	CONNECTING LINK 315-355 TYP e & N	648
317036196	CONNECTING Z LINK 250-131_M10 TYPE E	723
317036099	CONNNECTING LINK FOR 315-DOUBLE DECKER	828
319036094	CONNECTING LINK E355	880
317036097	CONNNECTING LINK FOR 250-131 BOX_M16	918
319036084**	STAR DELTA TERMINAL LINK ND400LX	1,300
317036076	CONNECTING LINK 315-355 TYP e & N	1,716
317036092**	CONNNECTING LINK 250-131 BOX FAULT LEVEL	2,370

Drain Plug

SKU Code	SKU Description	ALP (₹)
311086118	DRAIN PLUG PVC M1/M2	4

End Cover

SKU Code	SKU Description	ALP (₹)
338054068**	M/CD END COVER AFS180_CASTING TYPE	7,130
338054047**	M/CD NCE END COVER AAS180_CAST TYPE	8,540

** Please check delivery time before placing order

#All Cast iron spares will be sold in standard CG shade. Extra charges for separate paint shade



SKU Code	SKU Description	ALP (₹)
6307210061	AL ENDSHIELD - FACE M/C - GD63 FR	404
6307220061	AL ENDSHIELD - FACE M/C - GD71 FR	465
136021305W**	ENDSHIELD M/CED ND80-153R, ODE RMPU	600
249102119W	M/C FACE ENDSHIELD 3310 ND80	657
6307210081	AL ENDSHIELD - FLANGE M/C - GD63 FR	691
6307220082	AL ENDSHIELD - FLANGE M/C - GD71 - EXTRU	696
236312410W**	M/C ENDSHIELD FACE ND90 2410	710
230018042W**	ENDSHIELD M/CED 2812 HW2833/7689	On Enquiry
6307230003**	ALENSHIELD-6204-DE-MACHINED-EXTRUSION80	741
238312622W	M/C NDE ENDSHIELD 2618 ND100 ENPEE	756
239312712W	M/C NDE ENDSHIELD ND112 2712 ENPEE/DSE	757
6307215061**	CI ENDSHIELD - FACE - MACHINED - GD63	760
6307235065**	CI ENDSHIELD FACE MACHINED-080 BRAKE K2	766
139021470W**	M/C ENDSHIELD E90-153R IIC	790
139021471W**	M/C FLANGE ENDSHIELD E90-156R IIC	On Enquiry
6307220081	AL ENDSHIELD - FLANGE M/C - GD71 FR	809
231312999W**	ENDSHIELD M/CED CI ND90-153R DE/ODE RMPU	830
232312820W**	M/C ENDSHIELD FACE 2820 ND132	On Enquiry
6307250001**	AL ENDSHIELD. - DE - MACHINED-100	850
231312990W**	M/C ENDSHIELD ND90-153R BLND RMPU	850
6307230005**	ALENSHIELD-NDE-MACHINED-EXTRUSION 80	855
6307225061**	CI ENDSHIELD. - FACE - MACHINED-71	860
6307235083**	AL ENDSHIELD -FLG - M/C-80 -FOR ALFA LAV	870
136021039W	ENDSHIELD E80-153IIC M/C (HW2595/6287)	880
6307225067**	NEW CI E/S-FACE-M/C-71-BRAKE-PCD 72MM	920
236312421W**	M/C FACE ENDSHIELD E90-153 IIAIIB	On Enquiry
6307230081	AL ENDSHIELD - FLANGE M/C - GD80 FR	937
139021476W**	M/C ENDSHIELD E100-153R GR IIC	On Enquiry
139021478W**	M/C ENDSHIELD E112-153RIIC GR IIC	On Enquiry
139021580W**	M/C NDE ENDSHIELD E132-153RIIC	On Enquiry
139021480W**	M/C ENDSHIELD DE E132-153RIIC	On Enquiry
139021481W**	M/C FLANGE ENDSHIELD E132-156RIIC	On Enquiry
234312620W**	ENDSHIELD M/CED 2618R FOR RMPU	1,010
6307225083**	AL ENDSHIELD - SPL FLANGE-M/C-71 ALFA LA	1,020

** Please check delivery time before placing order

#All Cast iron spares will be sold in standard CG shade. Extra charges for separate paint shade



SKU Code	SKU Description	ALP (₹)
136021043W**	M/C FACE ENDSHIELD E80-156B IIA IIB	1,030
6307245061	CI FACE E/S M/CED - GD/NG90	1,060
231312004W**	ENDSHIELD M/CED CI ND90-156BR FACE RMPU	1,070
6307235061**	CI ENDSHIELD. - FACE - MACHINED- 80	1,080
233312610W	M/C FACE ENDSHIELD 2610 ND100	1,154
6114117502**	M/CD E/S ND160-156TD NEMA FLANGE	On Enquiry
239312720W	M/C FACE ENDSHIELD 2720 ND112	1,197
240102115W**	ENDSHIELD AL AD160 FOOT MULTIMOUNT	On Enquiry
6307225085**	CI E/S-SQ FLG-M/C-GD-71-NORD-POS.NO2-	1,260
6307235005**	SP. CI ENDSHIELD - DE - MACHINED GD 80	1,285
6307245069**	CI E/D.- FACE-M/CD-90-WITH 80 CUS. MOUNT	1,300
137021009W**	ENDSHIELD M/CED D112-153W HW2204	1,375
139021552W**	ENDSHIELD M/CED D112-153M HW2269	1,375
233320041W**	ENDSHIELD M/CED ND132-153SP-HW2833/8079	1,400
233312834W**	M/C NDE ENDSHIELD ND132 2812 BLIND CLW	1,438
6307265003	CI ENDSHIELD - DE/NDE - M/CED - NG112MX	1,503
6307270061**	AL ENDSHIELD - FACE M/C - GD132 FR	1,510
6307235093**	CI E/S-SQ FLG-M/C-GD-80-NORD-POS.NO4-TOP	1,520
139021043W**	M/C FLANGE ENDSHIELD E80 IIC	1,530
6114127122**	M/CD E/S NG180-153I FOOT DE/ODE	On Enquiry
6307245089**	CI E/S FLG MACHINED-90-NORD-FLG160S-TOP	1,560
6307265005**	GD112- -NON STD FACE-MACHINING-NORD.	1,790
6307265061**	CI ENDSHIELD FACE MACHINED-112	1,810
131021010W	M/C DE ENDSHIELD D132-153W	1,904
6307275003	CI ENDSHIELD - DE/NDE - M/CED - NG132MX	2,061
230312620W**	ENDSHIELD M/CD ND100,FLG WITH 90 MOUNT.	2,146
1360210043W	M/C FACE ENDSHIELD E100-156B	2,160
6114117201	M/CD E/S DE/NDE ND160 FOOT(ND160-153MAF)	2,477
6122117205**	M/CD E/S DE/ODE ND180-153MAF	2,500
6307275024**	CI E/S-FLANGE-M/C-GD132-NORD-GD132-156-3	2,590
139021473W**	M/C FACE ENDSHIELD E132-156B C IIA/IIB	2,590
6307265006**	CI ENDSHIELD-FLANGE-MACHINED-PC112-156	2,620
6115127201**	M/CD E/S ND160-153IS_LIGHT SERIES-NDE	2,630
6307275061**	CI ENDSHIELD. - FACE - MACHINED-132	2,670

** Please check delivery time before placing order

#All Cast iron spares will be sold in standard CG shade. Extra charges for separate paint shade



SKU Code	SKU Description	ALP (₹)
6307275022**	CI ENDSHIELD-NDE-M/CED-PC132M -DEEP E/S	2,699
236330021WS**	M/C FACE E/SHILED E112-156B IIAIB SPARE	2,780
236330021W**	M/C FACE ENDSHILED E112-156B IIAIB	2,870
6307275086**	CI ENDSHIELD-FLANGE-MACHINED-132-WILO	2,879
6307265091	CI E/D FLANGE-M/C-GD-100(C)-NORD-HA10865	2,927
6307275087**	CI ENDSHIELD.-FLANGE-MACHINED-GD132-ELGI	2,995
6114127222**	M/CD E/S NG/PC160-153I FOOT DE/ODE	3,111
6114157203**	M/CD E/S NDE ND160 FACE -NORD	3,160
6307275015	CI E/S-FLANGE-M/c-GD132-NORD-112-MOUT.	3,163
6307275011**	CI ENDSHIELD-FLANGE-MACHINED-PC132-156	3,300
6307265084**	CI ENDSHIELD-FLANGE-MACHINED-GD112-NORD	3,390
6525137301**	M/CD E/S NDE E180-153MN(NEW).	3,400
239312831W**	M/C FLANGE ENDSHIELD ND132 OLGA	3,436
6122117211	M/CD E/S DE/NDE ND180 FOOT (R/T)	3,534
6122117201	M/CD E/S DE ND180-153MAF FOOT OLGA	3,534
6114127102**	M/CD E/S NG180-153 FOOT DE/ODE	3,570
6122118201	M/CD E/S DE ND180 HA3712/6389(BUKHARO)	3,815
235312785W**	M/C NDE ENDSHIELD NDW112-157-2	4,020
6122117301**	M/C NDE ENDSHIELD ND180-153MAF OLGA	4,280
6307275014**	CI ENDSHIELD-FLANGE-MACHINED-GD132-NORD	4,620
6114157201	M/CD E/S DE ND160 FACE (HA3075)	4,741
6143317211**	M/CD FLANGE ENDSHIELD ND180_NORD	4,920
68258550**	M/CED END COVER CE AFS225 QAD21161R0	4,933
132021373W	M/C NDE ENDSHIELD D132-157	5,088
6132317301	M/CD E/S DE/ODE ND200-153M FOOT	5,143
6132328212	M/CD E/S NDE ND200-153M TMB RLY	5,143
6513117201**	M/CD E/S E160L FOOT DE/ODE	6,210
6525117201	M/CD E/S E180L FOOT DE/ODE	6,236
6132327222**	M/CD E/S NG200-153I FOOT DE/ODE	6,283
6143317201	M/CD DE/NDE E/S ND225 FOOT	6,351
6114117304**	M/C NDE ENDSHIELD NDW160 SQUARE	6,422
6114117206**	M/CD ND160-156M SQ. FLG ENDSHIELD -NORD	7,540
6535317201	M/CD E/S E200L FOOT DE/ODE	7,649
6114117208**	M/CD ND160-156M SP ENDSHIELD -NORD	7,685

** Please check delivery time before placing order

#All Cast iron spares will be sold in standard CG shade. Extra charges for separate paint shade

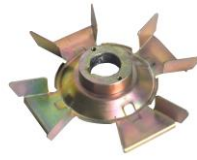


SKU Code	SKU Description	ALP (₹)
6114127225**	M/CD E/S NG225-153I FOOT DE/ODE	7,839
6114127199**	M/CD E/S PC160-156 FLG	8,130
6114127235**	M/CD E/S PC225-153I FOOT DE/ODE OLGA	8,310
6164317301**	M/CD E/S ODE ND280 4P FOOT	8,430
6546317206	M/C DE ENDSHIELD E225 IIA IIB FOOT OLGA	8,999
6546317207	M/C NDE ENDSHIELD E225 IIA IIB FOOT OLGA	8,999
6546317203**	M/CD E/S DE E225 FOOT(GAS GR IIC)	9,990
6333117144	M/CD E/S ODE C200-159R NEW	10,206
6513117202	M/CD E/S DE E160L FLANGE	10,280
319024254**	E200-153MC ENDSHIELD(GR.IIC)	10,340
6525117202	M/CD E/S DE E180L FLANGE	10,831
6143317209**	M/CD FLANGE ENDSHIELD ND225_NORD	12,100
6535317202**	M/CD E/S DE E200L FLANGE	12,730
6333117212**	M/CD E/S DE C200-156RLY FLANGE	13,094
318024654**	CI ENDSHIELD E315-153MC GR IIC 4P	13,220
6554317205**	M/CD E/S E250M 2P UP FOOT DE/ODE IIC	13,332
6143327303**	M/C NDE ENDSHIELD NDW225 SQUARE	14,409
6132328210**	M/CD E/S DE ND200-156 FLG TMB RLY.	15,130
6513127206**	M/CD FLG E/S DE E225-156MC IIC	15,558
6174337201**	M/CD E/S ND315L1A 4P FOOT DE/ODE	16,350
6182427216**	M/CD E/S ND355LX 4P UP FOOT ODE 6319	22,863
6153117219**	M/CD SPL DE FLANGE E/S ND250 MTG 225	24,150
6182447201**	M/CD E/S ND355S/M/L 4P UP FOOT DE/ODE	25,378
6562327502**	M/C DE ENDSHIELD E280M 4P FOOT_IIC	25,630
6179427214**	M/CD E/S DE E315-153M (IIC) 4P FOOT	26,173
6572227201**	M/CD E/S E315M 2P FOOT DE/ODE	26,589
6153117215**	M/CD SPL DE FLANGE E/S ND250	26,730
6182237201**	M/CD E/S DE/NDE ND355S/M/L 2P FOOT	29,400
6376417201**	M/C DE/NDE ENDSHIELD C315M 4P FOOT	31,340
6178227212**	M/CD E/S DE ND315L 2P FLANGE	36,631
6182427303**	M/C NDE ENDSHIELD NDW355LX SQUARE	45,760
6182427229**	M/C DE/NDE ENDSHIELD NG400LX 2P BRG 6318	55,920
6182427219**	M/C DE/NDE ENDSHIELD NG400LX 4P BRG 6322	62,130

** Please check delivery time before placing order

#All Cast iron spares will be sold in standard CG shade. Extra charges for separate paint shade

External Fan (1/3)

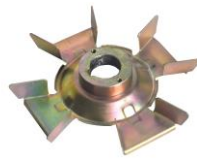


SKU Code	SKU Description	ALP (₹)
231087008	FAN PP AD71-146 QW2897	31
3152760001	FAN PLASTIC-100 & 112 (2P) - F1	31
241087003	FAN PP AD132/2P-LOW NOISE -NEW QW3835	41
241087004	NIU FAN PP AD132/4/6/8P-NEW QW3836	45
132087005	FAN PP D90-146 Q678 BORE 24MM	48
234087027**	FAN PP D100-146 BORE DIA 30MM	60
3152729001**	PLASTIC FAN COVER 71	70
139087006	FAN PP D100-146 Q668 BORE DIA 28MM	78
233087023	FAN PP D100-146 Q668 BORE DIA 24MM	78
135087007	FAN PP D112-146 Q702 BORE DIA 28MM	97
237087022	FAN PP D112-146 Q702 BORE DIA 24MM	97
131087009	FAN PP D132-146 Q703PP-DIA38MM-SPLIT PIN	164
245087003	FAN PP SPL ND/GD/NS132 DBL SHAFT EXT	188
231087029**	FAN PP D132-146 Q703 BORE DIA 38MM	210
313087006S**	FAN ND160-146P PL (2P).	320
133021668W**	FAN M/CED CI D80-147C QW2739	320
3152739001**	PLASTIC FAN COVER 80	400
139031104	MS FAN-NG100/112 (KEY-8X7X17 OER)	440
235031195**	MS FAN NG90_QW3728/10367R0	470
132031102**	FAN M.S. NG80-90 (KEY 5x5x13 OER)	470
230031209	FAN MS NG132 (KEY-8X7X17 OER)	526
231031005**	SP FANCOVER MS ND100 FOOT MOTOR	660
230031196**	M.S FAN AS PER HW3158/11199R1 GD132	720
230031210**	FAN MS GD132-HW3158/12958-D/S-NORD	720
134021028W	FAN M/CED CI D/E 100-147C Q645 28MM OLD	738
138021027W**	M/C FAN CI D/E D90-147C	810
130021029W	FAN M/CED CI D/E 112-147C Q652 OLD	877
310022028	CI FAN ND/E160-147C OD213	1,144
318022233	AL FAN ND200-146D_4P & ABOVE OD258	1,157
338031018**	EXTERNAL FAN COVER AUS180-SPL-BHEL	1,167
137021667W	FAN M/CED CI D/E 132-147C SG2 38MM OLD	1,303
310022148	FAN MS ND/E160 OD213-HUB DIA 32.0	1,320
318022010**	AL FAN ND160-146_4P & ABOVE_DSE OD250	1,350
311029926**	CI FAN ND200L 4 POLE & UP 55 BORE	1,420

** Please check delivery time before placing order

#All Cast iron spares will be sold in standard CG shade. Extra charges for separate paint shade

External Fan (2/3)

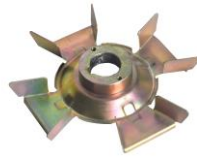


SKU Code	SKU Description	ALP (₹)
312029940	AL FAN ND225-146_4P & ABOVE - OD311	1,684
318022004	AL FAN ND160-146_4P & ABOVE OD250	1,800
6124327401	AL FAN ND180-146AL	1,806
318022005	AL FAN ND160-146/2_2P OD176	1,825
312029907**	AL FAN PC200-2P OD180	1,940
319029916	CI FAN ND180-147_4P OD265	2,010
310022128	AL FAN ND180-146_4P OD265	2,233
311022231	AL FAN ND200-146_2P OD235	2,515
316029914	AL FAN ND180-146/2_2P OD235	2,518
312029955**	CI FAN ND225-147_4P_BRAKE	2,780
314022703**	AL FAN ND315-146/2	2,860
319022332**	AL FAN C160-146N OD276	3,500
319029942	CI FAN ND280-147_4P OD310	3,707
318022335**	AL FAN C225-146N_4P & ABOVE OD362	3,710
312029965**	AL FAN ND225-146 4P & ABOVE SPL BORE	3,820
313029571**	CI FAN HUB ND400LX D355-147	3,920
312029901**	AL FAN PC225-4P OD250	4,020
318022328	AL FAN C225 -146M_2P_RLY OD350	4,342
334031011**	EXTERNAL FAN AUS280 AL ND280-146/2 MOTOR	4,910
319056006**	FAB FAN NG355LX - 2P OD 350 MM	On Enquiry
319056030**	FAB FAN PC225 - 2P OD 180MM	7,250
314022704**	AL FAN ND355_4P OD420	7,410
319056039**	STD FAB FAN ND180- 4P UP IE3	8,260
338052029**	EXT FAN-BI DIRE ADS280A/S/M-FOR 1500RPM	8,410
310022704**	AL FAN ND315L-146D_4P SPL BORE	9,150
319056040**	STD FAB FAN ND200 4 UP-IE3	9,480
318031938**	FAB AUX T/B FOR 2 LEADS (4mm ²)+COVER-M20	11,030
319056033**	FAB FAN PC315L - 4P OD 345 MM	12,674
319056043**	FAB FAN NG400 - 4P OD 600 MM	12,920
319056017**	FAB FAN PC315L - 2P OD 295 MM	13,340
314022707**	MULTIWINGFAN550/6-6/50/PAG/3HL/19/6/41/B	16,570
361036096	FAB. FAN G1R250 (NEW)	17,586
314022711**	MULTIWINGFAN400/6-6/35/PAG/3HL/14/5/31/B	18,360
338052280**	EXTERNAL FAN COVER AFS280	19,070

** Please check delivery time before placing order

#All Cast iron spares will be sold in standard CG shade. Extra charges for separate paint shade

External Fan (3/3)



SKU Code	SKU Description	ALP (₹)
310022504	AL FAN C250-146N_4 P & ABOVE OD410	19,926
319056036**	FAB FAN ND355L - 2P OD 405 MM H/O	20,220
310022134**	FAB FAN E250 BORE 19	21,590
334031014**	EXTERNAL FAN AUS315-BIDIR-1500RPM	28,920
311056245**	FAB FAN COVER E250 FORCE COOLING	34,750

Eye Bolt

SKU Code	SKU Description	ALP (₹)
235041101	EYEBOLT M8 EW3315	73
136041215	EYEBOLT MS M10 EW3315	90
3111500012	EYEBOLT- M12-GD132	93
134041226**	EYEBOLT MS M12 EW3315	100
316043205	EYEBOL T ND160ML M12	125
312043206	M16 EYE BOLT ZINC PASSIVATED (YELLOW)	196
310043217	M20 EYE BOLT ZINC PASSIVATED (YELLOW)	291
319043207	M24 EYE BOLT ZINC PASSIVATED (YELLOW)	764
315043208	M30 EYE BOLT ZINC PASSIVATED (YELLOW)	1,477

Eye Plate

SKU Code	SKU Description	ALP (₹)
3114335002**	EYE PLATE 80-132 FRAME	50

Fabricated packing case

SKU Code	SKU Description	ALP (₹)
317192127**	FAB. PKG NG132 TB SIDE (NG132P)	3,160
317192340**	STEEL PACKING CASE NE160LX-B3-RHS EP2X	7,020
317192202**	P4MTS-STEEL-PKG CASE- ND200	11,770

** Please check delivery time before placing order

#All Cast iron spares will be sold in standard CG shade. Extra charges for separate paint shade

Fan Cover (1/4)



SKU Code	SKU Description	ALP (₹)
3152739002	PLASTIC FAN COVER 80 FOR EXTRUSHION BODY	81
3114440005	METAL FAN COVER 90 NORD	310
238031007	FANCOVER MS ND90-4 HOLES	338
238031004	FANCOVER MS ND90-3 HOLES	342
3114420002**	METAL CANOPY FAN COVER 71_MS FAN	380
3114431016**	NEW FAN COVER FOR 80 BRAKE MOTOR	380
231031007	FANCOVER MS ND100 STD (LSVE)-4 HOLES	384
231031003	FANCOVER MS ND100 STD (LSVE)-3 HOLES	388
3114430003**	METAL FAN COVER 80 FOR NORD NON BRAKE	390
3114450015**	METAL FAN COVER STD NG100	430
239031013	FANCOVER MS ND112 (LSVE)HW3030R1-4 HOLES	477
239031001	FANCOVER MS ND112 (LSVE)HW3030R1-3 HOLES	486
3114460015	METAL FAN COVER 112 FOR NORD NEW	486
3114460002**	METAL FAN COVER 112MX	520
3114470027**	METAL FAN COVER GD132-W28CG000/13157	520
3114450001**	METAL FAN COVER 100	550
3114420003	METAL FAN COVER WITH CANOPY - 71	583
3114440008**	FAN COVER NS90 PWDR COATED RAL7034	600
3114460001**	METAL FAN COVER 112	600
230031008**	FAN COVER ND132 DOUBLE SHAFT	600
3114470002	METAL FAN COVER 132MX	641
3114430002	METAL FAN COVER WITH CANOPY GD/NG80	666
3114470029**	METAL FAN COVER PC-132- DEEP E/S	690
230031006	FANCOVER MS ND132 HW2998-3 FIXING HOLES	763
230031004	SP FANCOVER MS ND132S/M SNGL SHAFT	785
230031013	FANCOVER MS ND132 HW2998-4 FIXING HOLES	785
3114440003	METAL FAN COVER WITH CANOPY GD/NG90	819
3114460016	METAL CANOPY FAN COVER GD/NG/100/112	844
239031003**	SP FANCOVER MS ND112 SINGLE SHAFT	860
3114470012**	METAL FAN COVER 132 FOR NORD NON BRAKE	870
3114470020**	SP METAL FAN COVER 132-W28CG000/12518	910
3114421005**	BRAKE METAL FAN COVER FOR 71	950
313031786**	FAN COVER AD160 MULTIMOUNT	1,010
3114470038	METAL FAN COVER-CANOPY GD132-BOLW E/S	1,043

** Please check delivery time before placing order

#All Cast iron spares will be sold in standard CG shade. Extra charges for separate paint shade

Fan Cover (2/4)



SKU Code	SKU Description	ALP (₹)
3114441001	METAL FAN COVER 90-BRAKE NG/GD	1,136
3114440006**	METAL FAN COVER 90-D90CG020/11287	1,250
313031807**	FAN COVER NE160	1,270
316031813	FAN COVER ND/NE160 DSE OLGA+BTD+SPM	1,283
3114460019**	METAL FAN COVER 100/112 FOR BRAKE NORD	1,310
313031906	FAN COVER ND/NE160 SSE OLGA+BTD+SPM	1,325
311056294**	BRAKE FCVR ND160 BRAKE SIZE 20-NORD	On Enquiry
3114470019**	SP METAL FAN COVER 132-W28CG000/12489	1,420
319031820	FAN COVER ND/NE180 SSE OLGA+BTD+SPM	1,427
3114431015**	SPL FAN CVR GD80 - BRAKE -W80CG005/14362	1,460
3114441016**	BRAKE F/C 90 FRAME- NORD-QA10540	1,500
3114470004	METAL FAN COVER WITH CANOPY GD/NG132	1,538
313031144	FAN COVER PC160	1,678
311056017**	FCVR ND160 BRAKE SIZE 20	1,683
236052003	FANCOVER MS CLEANFLOW ND132 QW2720	1,698
3114421001**	METAL FAN COVER 71 FOR BRAKE MOTOR	1,700
319031078	FAN COVER ND180 ELGI	1,772
314033695	CANOPY FAN COVER ND/NE160 OLGA+BTD+SPM	1,822
317033380**	FAN COVER ND/NE 160 WITH ARROW PLATE	1,860
3130311461**	FAN COVER PC200	1,899
3114471009**	METAL FAN COVER 132 FOR BRAKE FABRICATED	1,970
3114471001**	METAL FAN COVER 132 FOR BRAKE	2,050
230031204	FANCOVER E112 BRK MTR IIA/IIB - B3/B5	2,081
319031821	FAN COVER ND/NE200 SSE OLGA+BTD+SPM	2,138
234052009**	FANCOVER MS BND132-154 HW2660/I9.	2,160
3114471015**	FAN COVER-GD132_STD BRAKE _NORD	2,220
318033694	CANOPY FAN COVER ND/NE180 OLGA+BTD+SPM	2,258
3114441010**	METAL FAN COVER 90-BRAKE NG_RHS -K5	2,260
3114470013**	METAL F_CVR NG132 FOR BRK -EMCO SIZE 18	2,270
3114470003**	METAL FAN COVER NG132 CLEAN FLOW	2,390
317033367**	FAN COVER ND/NE 200 WITH ARROW PLATE	2,400
319031815	FAN COVER ND/NE200 DSE OLGA+BTD+SPM	2,436
317031831**	FAN COVER NDW160 ISR SSE	2,855
311056151**	FAN COVER ND200 FOR 25 SIZE BRAKE	3,100

** Please check delivery time before placing order

#All Cast iron spares will be sold in standard CG shade. Extra charges for separate paint shade

Fan Cover (3/4)



SKU Code	SKU Description	ALP (₹)
319033683	CANOPY FAN COVER ND/NE200 OLGA+BTD+SPM	3,167
319031735**	FAN COVER ND160 TEX	3,660
231052054**	FANCOVER MS NDW112-154 HW3114	3,713
318033689	CANOPY FAN COVER ND225 OLGA+BTD+SPM	4,160
132031306**	FAN COVER E90 BRAKE MOTOR IIA/IIB B5	4,240
319031822**	FAN COVER ND225 SSE OLGA+BTD+SPM	4,469
318031823	FCVR E160L	5,482
313031813	FAN COVER ND280S_HOLLOW ENCODER	5,974
313031870	BRAKE FAN COVER-ND160-HA4863/14414	6,084
316031810**	FCVR NE200	6,130
317031519	CANOPY FAN COVER ND225 EXTRA LONG	6,482
314031824	FCVR D/E180	6,588
313031812**	FAN COVER ND280	6,710
319033691	CANOPY FAN COVER ND250 BTD+SPM	7,020
138052013**	FAN COVER MS DW132	7,024
316056031S**	FCVR ND355 S/M/L	On Enquiry
311056150**	FAN COVER ND225 FOR BRAKE MOTOR	8,020
317033697	CANOPY FAN COVER E160L	8,422
315031322**	FAN COVER E225 STD SSE + OLGA	9,070
310031241	FCVR E200L STD FOOT MOTOR	9,274
317031262**	FAN COVER PC315-2P QA8608 FAB	On Enquiry
319033699**	FCVR CPY E200L	10,815
315031837**	FAN COVER NDW225 ISR	11,121
317033375**	FAN COVER E280 STD B3/B35 SSE+ARROW PL	11,290
315033692	CANOPY FAN COVER ND315S/M BTD+SPM	11,331
317031284**	FAN COVER ND315LX SHORT LENGTH	12,977
311033693	CANOPY FAN COVER ND315L/LX BTD+SPM	13,061
317056020**	CANOPY FAN COVER ND355LX BTD+SPM	13,978
317033453**	E250 CANOPY FAN COVER	17,565
312031917**	FAN COVER E280 STD B3/B35 SSE IIC	18,710
315031686**	FCVR ND315 S/M SPL	19,370
313031844**	FAN COVER E315M IIC SSE	19,460
316056023**	FCVR ND355 S/M/L WITH BTD HOLE	20,690
317031244**	FCVR ND315L1A STD	21,190

** Please check delivery time before placing order

#All Cast iron spares will be sold in standard CG shade. Extra charges for separate paint shade

Fan Cover (4/4)



SKU Code	SKU Description	ALP (₹)
311031740**	FAN COVER NDW315S/M ISR	25,107
314031224**	FAN COVER NG355LX 2 POLE	54,829

Feet

SKU Code	SKU Description	ALP (₹)
3114315001	FEET-63	42
3114325001	FEET-71	44
3114335001	FEET-80	120
3114345001	FEET-90	132
3114365001	FEET-112	211
3114355003	FEET GD100L WITH GD112M AL BODY	243
3114375001	FEET-132	311

Filter Unit

SKU Code	SKU Description	ALP (₹)
378270903	FILTER PANEL ASBG315 (SET OF 5 ELEM)	44,755

FLP Terminal Kit

SKU Code	SKU Description	ALP (₹)
132041237**	TERMINAL STUD M6	50
310086315**	FLP TERMINAL STUD SHORT E225-315M	220
310086314**	FLP TERMINAL STUD LONG E225-315M	400
316086321**	TERMINAL STUD SHORT E160-E200	440
312086322**	TERMINAL STUD LONG E160-E200	520
314086306S**	TERMINAL STUD E315L 3 LEAD	650
65752286S**	TERMINAL PLATE ASSLY E315L_6 LEADS	8,637

** Please check delivery time before placing order

#All Cast iron spares will be sold in standard CG shade. Extra charges for separate paint shade



SKU Code	SKU Description	ALP (₹)
239101057**	NEOPRENE GASKET FOR TB CVR ND90-132	17
3162055001	NEOPRENE GASKET FACE_FR100	27
234161003	NEOPRENE GASKET TB + STATOR ND90-132	28
3162015001**	NEOPRENE GASKET FACE_FR63-90	30
234161011**	GASKET NEOPRENE ND90-132 AL CAP T BOX	30
3162065005	GASKET FR80/132-T.BOX & COVER NORD 9586	32
3162065001	NEOPRENE GASKET FACE_FR112/132.	33
234161005	GASKET ND90-132 EA9559/IT-NO1-AL CAP TB	37
236161065	GASKET ND90-132 PRESSED TB COVER EW4922	45
310162185	NEOPRENE GASKET-SPLIT BOX+CVR NG112/132	49
3162055002**	NEOPRENE GASKET LID_FR100	50
317162024	GASKET ND160_PRESSED T/BOX+STATOR	58
310162209	GASKET- T/BOX+T.BOX COVER-GD132-200-NORD	59
3162015008**	NEOPRENE GASKET FACE_63-90 BRAKE TB NORD	70
310162186	GASKET FOR SPLIT T/BOX+T.COVER-160-180	70
310162170**	GASKET ND160-PRESSED T/BOX+COVER	90
310162070	TERMINAL BOX. COVER GASKET ND160-56D	92
310162184**	NEOPRENE GASKET SPLIT BOX+CVR NG100	100
135161042	NEOPRENE GASKET TB CVR D90-56C FR112-132	105
318162063	GASKET FULL ND160-56D	109
3162065002**	NEOPRENE GASKET LID_FR112/132.	110
319162026	GASKET BETWEEN BOX AND STATOR 250-38-M8	110
317162025**	GASKET FOR NG132 WITH ND160-56D BOX	120
310162180	GASKET FOR SPLIT T/BOX+GLAND PLATE-225-	122
310162175	GASKET FOR SPLIT T/BOX+STATOR-200	130
310162065**	GASKET(QA2965)T.BOX/T.B.COVER NC200	140
3162065013**	NEOPRENE GASKET FOR T-BOX BASE GD112	140
3161960011**	GASKET FOR LID GD112M SQ.TBOX SILICON	140
310162187	GASKET FOR SPLIT T/BOX+T.COVER-200	156
310162195**	GASKET FOR SPLIT T/B+STATOR-250-280-14DI	190
316162027	GASKET BETWEEN BOX AND COVER_225-250	200
319162052	GASKET BETWEEN 315-38 BOX & STATOR	206
314162001	GASKET BETWEEN 250-131 & SEALING BOX	207
310162181	GASKET FOR SPLIT T/BOX+GLAND PLATE-315	214

** Please check delivery time before placing order

#All Cast iron spares will be sold in standard CG shade. Extra charges for separate paint shade

Gasket (2/2)



SKU Code	SKU Description	ALP (₹)
315162056**	GASKET BETWEEN 315-38 & SEALING BOX	250
312162054**	GASKET BETWEEN 315-38 & BOX COVER	280
319162052S**	GASKET BETWEEN 315-38 BOX & STATOR	310
310162196**	GASKET FOR-225-T/B+T/BOX COVER -NORD	320
310162177**	GASKET FOR SPLIT T/BOX+STATOR-280	397
310162003**	NEOPRENE DISC CANOPY-225-2P&200	401
311162002**	NEOPRENE DISC CANOPY-180	404
310162011**	NEOPRENE DISC CANOPY-132	410
319162053	NEW GASKET BETWEEN 250-131BOX & COVER	462
310162189**	GASKET FOR SPLIT T/BOX+T.COVER-280	530
310162190**	GASKET FOR SPLIT T/BOX+T.COVER-315	830
310162178**	GASKET FOR SPLIT T/BOX+STATOR-315	980

Gland (1/2)

SKU Code	SKU Description	ALP (₹)
3152765001	PLASTIC CABLE GLAND - M25 X 1.5	393
316231167**	GLAND KCE-1S-M20X1.5P - FLP IIA,IIB	660
316231161	CBF01M METRIC GLAND M20 X1.5P	757
310231122	DC GLAND KCE-02 M20X1.5P GAS GR IIA IIB	976
310231121**	DC GLAND KCE-01 M20X1.5P GAS GR IIA IIB	1,050
315231601	CBF02M METRIC GLAND M20 X1.5P	1,073
315231606**	CBF02- GLND ET 3/4" 3CX6,3CX4	1,140
311231120	DOUBLE COMP GLAND CBW05 1-1/4"(FOR RLY	1,407
310231221	DC GLAND KCE-01-IIC M20X1.5P	1,499
316231159	CBF04M METRIC GLAND M25 X1.5P	1,665
310231222	DC GLAND KCE-02-IIC M20X1.5P	1,812
319231155	CBF05 GLND ET 1.5" 3CX50,3.5X25	1,832
316231162	CBF05M METRIC GLAND M40 X1.5P	1,832
310231323**	DC GLAND IIC M25X1.5P ATEX OD:20-22mm	1,850
315231602**	CBF06M METRIC GLAND M40 X1.5P	1,890
310231124**	DC GLAND KCE-04 M25X1.5P GAS GR IIA IIB	1,900
310231223	DC GLAND KCE-03-IIC M25X1.5P	2,125
310231125**	DC GLAND KCE-05 M40X1.5P GAS GR IIA IIB	2,140

** Please check delivery time before placing order

#All Cast iron spares will be sold in standard CG shade. Extra charges for separate paint shade

Gland (2/2)

SKU Code	SKU Description	ALP (₹)
310231224	DC GLAND KCE-04-IIC M25X1.5P	2,744
316231163	CBF08M METRIC GLAND M50 X1.5P	3,993
310231226	DC GLAND KCE-06-IIC M40X1.5P	4,675
315231609	CBF09M METRIC GLAND M50 X1.5P	4,699
310231535**	CBF08 GLND ET 2" 3CX120,3.5,CX95	4,800
316231164**	GLAND KCE-04-I M25X1.5P PLC2 GR I	5,160
315231603	CBF10M METRIC GLAND M50 X1.5P	5,275
310231227	DC GLAND KCE-07-IIC M40X1.5P	5,475
316231166**	GLAND KCE-05-I M32X1.5P PLC4 GR I	6,270
310231228	DC GLAND KCE-08-IIC M50X1.5P	6,800
315231604	CBF11M METRIC GLAND M63 X1.5P	6,886
310231229	DC GLAND KCE-09-IIC M50X1.5P	7,918
310231231	DC GLAND KCE-11-IIC M63X1.5P	11,268
310231123**	DC GLAND KCE-03 M25X1.5P GAS GR IIA IIB	12,480
310231326**	DC GLAND IIC M50X1.5P ATEX OD:45.5-51mm	17,980

Gland Plate

SKU Code	SKU Description	ALP (₹)
136021186	GLAND/CONDUIT PLATE - CI E90-80D EW2049	473
319055194**	AL GLAND PLATE UNDRILLED for 225/250/280	860
61463384	M/CD GLAND PLATE 200-80S1	1,117
61463387**	M/CD AL GLAND PLATE PC/ND 225/250/280	1,210
61463381	M/CD GLAND PLATE 200-80S1-M40X1.5P-2NOS	1,342
314025235	E160-190S GLAND PLATE	1,499
133021225W	M/C GLAND PLATE E132-80S GROUP IIC	1,569
319055083**	AL GLAND PLATE 315	1,690
65131184	E160-80S M/CD GLAND PLATE IIA/IIB/IIC	2,363
317025038**	CAST GLAND PLATE E225-190S	2,560

** Please check delivery time before placing order

#All Cast iron spares will be sold in standard CG shade. Extra charges for separate paint shade

Grease Adapter

SKU Code	SKU Description	ALP (₹)
313036115**	GREASING ADPTND180/200 NEMA FRAME(REF4)	110
313036118**	GREASE ADAPTOR	120
313036113**	GREASING ADAPTOR FOR 355L_FRAME	190
313036112**	GREASING ADAPTOR FOR 250 TO 355M FRAME	350

Grease Nipple

SKU Code	SKU Description	ALP (₹)
311142990**	1/8" GREASE NIPPLE	30
318142991	GREASE NIPPLE M10X1	71
318142995	EXTRA LONG SPM NIPPLE	220

Grease Pipe

SKU Code	SKU Description	ALP (₹)
313036117**	GREASE HOSE PIPE length 300mm	120
319042342**	D200/225 BRASS GREASE PIPE	146
313036123**	GREASE INLET HOSE PIPE -EA8923-14930	360
316042340**	315 FRAME BRASS GREASE PIPE	390

Grommet

SKU Code	SKU Description	ALP (₹)
315086143	FAN COVER GROMMET	14
311162013	RUBBER GROMMET FOR GREASE ADAPTER	34

Head Plug

SKU Code	SKU Description	ALP (₹)
312142982	1/8" BSP SQUAR HEAD PLUG	51

** Please check delivery time before placing order

#All Cast iron spares will be sold in standard CG shade. Extra charges for separate paint shade

SKU Code	SKU Description	ALP (₹)
133041579	KEY OER EN8 6x6x27 MM	24
3150136632	KEY-80 6X6X32 BER	28
232041178**	KEY 5x5x20 BER	30
138041580	KEY OER EN8 8x7x36 MM	31
134041581	KEY OER MS 8x7x44 MM	36
3150148740	KEY-90 [8X7X40 BER]	36
3150168750	KEY-100/112 (8X7X50 BER)	41
3161724134	THROUGH PIN-HHF-M-4 X 134 MM WD71/63	44
3150136633	ALFA 80 ATB - KEY [6X5.9X70 BER]	49
131041426	KEY BER MS 10x8x70 MM	66
130041582	KEY OER EN8 10X8X60 MM	67
318044052	12X8X80 FLAT KEY	81
313044157	16X10X80 FLAT KEY	136
311046014	22X14X60 BER FAN KEY	170
311044206	18X11X110 FLAT KEY	221
318044254	20X12X110 FLAT KEY	250
315044332**	22X14X140 FLAT KEY	490
311044114	20X12X225 FLAT KEY	503
310044602	25X14X140 FLAT KEY	519

Lead Bush

SKU Code	SKU Description	ALP (₹)
319107002**	LEAD BUSH FOR CONICAL GLAND-16MM SQ	On enquiry

Metalic Plug Gr IIC

SKU Code	SKU Description	ALP (₹)
311056205**	METALLIC PLUG M25X1.5 GR IIC KAYSONS MAK	710
311056203**	METALLIC PLUG M40X1.5 GR IIC KAYSONS MAK	840
311056204**	METALLIC PLUG M50X1.5 GR IIC KAYSONS MAK	1,100

** Please check delivery time before placing order

#All Cast iron spares will be sold in standard CG shade. Extra charges for separate paint shade

SKU Code	SKU Description	ALP (₹)
315157103**	OIL FLINGER FOR GD 80 FRAME	40

Oil Seal



SKU Code	SKU Description	ALP (₹)
134162042	OILSEAL 20X30X5 MM	46
137162002	OILSEAL 30x42x7 MM	52
237161010	OILSEAL 25x40x7 MM	53
139162004	OILSEAL 40x52x7 MM	55
232161009	OILSEAL 40X62X7 MM	59
236161008	OILSEAL 30x47x7 MM	60
3161920001**	OILSEAL DL 17X28X6 (71- 90)-NITRILE RUB	70
315162524**	OIL SEAL 50X65X8 TYPE A	120
313162514	OIL SEAL 60X80X10	137
319162523**	OIL SEAL 45X60X8	170
3161970003**	OILSEAL DL 40x52x7(132)-SKF	240
3161930003**	OILSEAL DLS 20X30X7(80DE)-SKF	250
319162530**	OIL SEAL50X65X8-SKF MAKE- HMSA10-	270
3161960004**	OILSEAL DL 30X42X7(112/100)-SKF	320
319162531**	OIL SEAL-45x60x8-SKF MAKE- HMSA10-	350
319162528**	OIL SEAL 60x80x10-SKF MAKE- HMSA10-	370
319162536**	OIL SEAL 65X85X10-SKF MAKE-VITON-HMSA10	1,660

Plug and Socket

SKU Code	SKU Description	ALP (₹)
310232308**	FLP PLUG & SOCKET FOR 25 MM ² 150A,550V	59,400

** Please check delivery time before placing order

#All Cast iron spares will be sold in standard CG shade. Extra charges for separate paint shade

Pre Loading washer

SKU Code	SKU Description	ALP (₹)
3110340001	WASHER PRELOAD-EPL 44 FR.90	31
235141481S**	WAVY WASHER 33X39x0.4 MM	40
239141021**	WAVE WASHER 41X51X0.5 MM	40
131141461**	WAVE WASHER 51X61X0.5 MM	50
238141690**	WAVE WASHER 40X46X0.5 MM	50
138141462**	WAVE WASHER 61X71X0.5 MM	60
319141111**	WAVE WASHER 6208	60
319141990	WAVE WASHER 6209	73
134141463**	WAVE WASHER 79X89X0.5 MM	80
317141981	WAVE WASHER 6210	80
310141980	WAVE WASHER 6309	90
315141971	WAVE WASHER 6310 / 6212	96
319141991	WAVE WASHER 6213	143
315141987	WAVE WASHER 6312	218
311141988	WAVE WASHER 6313	241
319141984**	WAVE WASHER 6314	350
378141601	6315 WAVE WASHER	371
319141989**	WAVE WASHER 6316	380
338141009	6316 WAVE WASHER	398
319141985	WAVE WASHER 6318	451
319141987S**	WAVE WASHER 6319	720
319141992**	WAVE WASHER 6321	780

Ratchet

SKU Code	SKU Description	ALP (₹)
316032304**	HOLD BACK RACHET RSCI-60	112,230

** Please check delivery time before placing order

#All Cast iron spares will be sold in standard CG shade. Extra charges for separate paint shade

SKU Code	SKU Description	ALP (₹)
3162263721**	RECTIFIER FOR DC BRAKE - TYPE AS4R	1,890
3162263723**	Sytco Solid State Rectifier415VAC/190VDC	2,350
311260135**	RECTIFIER 13046438 0.75 A/460 VAC-INTORQ	2,690
311260122**	RECTIFIER : EH720AD 230VAC/205VDC	3,260
311260124**	RECTIFIER 415VAC/190VDC 2 A UM-001 HHD	3,960
311260118**	RECTIFIER UM-101-AV (415VAC TO 190VDC)	6,960
311260129**	RECTIFIER 500VAC/225VDC 2A UM101 AVH	7,320

RTD

SKU Code	SKU Description	ALP (₹)
314032508	RESIST.TEMP.DETECTOR REF2(3wiretype) RTD	811
314032519**	SIMPLEX RTD PT100 (3WIRE TYPE) 1.5m Lg	1,310
313032611**	BEARING RTD DUPLEX TYPE TYPE e ATEX	69,490

Sealing Box

SKU Code	SKU Description	ALP (₹)
133021225**	SEALING BOX/GLAND PL E132-80S E90-132IIC	817
139021488W**	M/C SEALING BOX E90-102	1,220
65463284**	M/C SEALING BOX E225-315 IIC	3,920
65463183**	E225-102D M/CD SEALING BOX	5,400
65752283**	M/C SEALING BOX E315-102A	9,170

** Please check delivery time before placing order

#All Cast iron spares will be sold in standard CG shade. Extra charges for separate paint shade

SKU Code	SKU Description	ALP (₹)
312086144**	SHAFT EXTENSION GAURD DIA 60	60
6302262008**	SHAFT AL FR-112-W12SA000/12102-NORD	On Enquiry
6302242017**	SHAFT AL FR-90 W90SA000/12999-NORD-2C40	On Enquiry
6302242909**	SHAFT AL FR-90 - FIN. BRAKE-SIZE-8- NORD	On Enquiry
6302232701**	SHAFT AL FR-80 (GD80GS020) 0.75kW LKM	580
6302222053**	SHAFT AL FR-71 (GD71SH03) SINGLE EXT ENP	620
6302262007**	SHAFT AL FR-112 (QA8926) FINISHED -NORD	740
EX3DAQA9817/12613**	M/C SHAFT E80MX STD M315 STG	950
6302276002**	SHAFT CI FR132MX (QA8021) FINISHED IE3	On Enquiry
EX3GAQW3699**	M/C SHAFT E100 IIA/IIB STD DSE	1,070
ND3HAQW4026B**	SHAFT M/CED ND112M QW4026B ENNPEE(DE LOC	1,120
6302262053**	SHAFT AL 112 STD EXT DE LOCK AXIAL PLAY	1,410
ND3DAQA7055**	SHAFT M/CED ND80 QWA7055 EN24 RMPU	1,533
EX3FA/8164**	M/C SHAFT E90L IIC STD M315 STG	1,560
6302222908**	SHAFT-71-D71BK001/12886R1BRAKE-NORD-EN24	1,615
ND3GAQA10310**	M/C SHAFT ND100 2P STD M315 STG	1,720
ND3FAQW4004**	M/C SHAFT ND90LD FLANGE STD	1,760
ND3JAQA10295**	M/C SHAFT ND132M STD M315 STG	1,800
ND3EAQW4003**	M/C SHAFT ND90SD FLANGE STD	1,930
EX3JAQA9842**	M/C SHAFT E132 IIA/IIB FOOT BRK 16.32	2,190
6302252019**	SHAFT AL FR-100/112 NORD 80FR CUST MOUNT	2,230
310056165**	STUB SHAFT ND180-400 DIA 12	2,370
EX3HA/7979**	M/C SHAFT E112M STD M315 STG	2,450
6302276041**	SHAFT AL FR-132-EN24 ASPER MSA072-2-NORD	On Enquiry
EX3JA10723**	M/C SHAFT E132M STD CORE 57	4,620
ND3IA/10729**	M/C SHAFT TE MOTOR OLGA ARRGT 132 FRAME	4,990
6302262062**	SP SHAFT GD112 BRAKE EN24-W12SA000/14798	6,170
6125312230**	M/CD SHAFT ND180L STD EN24	15,220
6143312220**	M/CD SHAFT ND315S/M 4P SHRINK FIT	47,850
6282722204**	M/CD SHAFT NDW400LX_ESR	3,09,850
6302232018**	SHAFT AL FR-GD80-DBL EXT.-NORD-2C40	On Enquiry

** Please check delivery time before placing order

#All Cast iron spares will be sold in standard CG shade. Extra charges for separate paint shade



SKU Code	SKU Description	ALP (₹)
361241010	MOULDED SLIPRING 160/200 (NEW)	2,371
139241030	SLIPRING MOLDED DW132	9,755
319241013**	MOU SLIPRING(4937)NDW160/180,CW/EW180/25	24,690
312241012**	MOULDED SLIPRING (4935)CW/EW280/315	30,792
316241011	MOULDED SLIPRING(4938)NDW200/225/250	34,547
310241003**	MOULDED INT SLIPRING(4936/5822)CW280	50,913
310241002**	MOULDED SLIPRING NDW280/315	51,440
311241060	FAB SLIPRING HA5723/6486 NDW400L	1,80,602

Socket

SKU Code	SKU Description	ALP (₹)
233031034	SOCKET CU 1.00 SQ.MM "V1" EW3803/I2	11
239031035	SOCKET CU 1.00 SQ.MM "W1" EW3803/I2	11
361032057	CCTUS 544 CU TUBU SOCKET-6 SQ /M6 (6.5)	14
316032135	4&6 MMSQ M6 BEND SOCKET_MOTOR	23
361032050	CCTUS547 CU TUBULAR SOCKET-10sq/M8	37
316032185**	25 MMSQ STRAIGHT SOCKET	60
318032019**	CUS15 DOWELLS SOCKET OR EQVT(25M10)	70
316032060**	CUS11 DOWELLS SOCKET OR EQVT(35M6)	70
319032015**	CUS12 DOWELLS SOCKET OR EQVT(35M10)	70
315032138**	25 MMSQ M12 BEND SOCKET_MOTOR	100
316032152	25 MMSQ (M16) BEND SOCKET	133
319032142	50 MMSQ M16 BEND SOCKET_MOTOR	225
311032144	70 MMSQ M16 BEND SOCKET_MOTOR	268
317032053**	95 MMSQ (M16) BEND SOCKET_MOTOR	520

** Please check delivery time before placing order

#All Cast iron spares will be sold in standard CG shade. Extra charges for separate paint shade

Space Heater



Smart solutions.
Strong relationships.

SKU Code	SKU Description	ALP (₹)
231237131**	SPACE HEATER 25 WATTS 240 VOLTS	770
313232104**	SP/HEATER 50W,16MM X 1135 LTH	830
313232104S**	SP/HEATER 50W,16MM X 1135 LTH	830
317232103	SPACE HEATER 60W R3/3 16X1460 LTH.	1,019
319232105	SP/HEATER 60W,(SHORT)R3/4 25X940 LTH	1,019
312232110	SPACE HEATER 60W 3000MM Lg	1,575
312232107	SPACE HEATER 100W_25mm X 1560 Lg	1,760
312232109	SPACE HEATER 100W_25mm X 2000 Lg	2,547
319232110	SP HEATER 65W/230V/50Hz -18X1473 PESO	4,769
317232226	SP HEATER 82.6W R3/3 25X1560 PESO	5,000

Spacer

SKU Code	SKU Description	ALP (₹)
139086006	INSULATING SPACER DW132	20

Spreader box

SKU Code	SKU Description	ALP (₹)
319055184**	FAB SPRADER BOX FOR 315_DOUBLE DECKR BOX	18,180
319055257**	FAB SPREADER BOX FOR 250-131 TERM BOX	19,300

** Please check delivery time before placing order

#All Cast iron spares will be sold in standard CG shade. Extra charges for separate paint shade

Stator Case (1/2)



SKU Code	SKU Description	ALP (₹)
6307225002**	CI E/S NDE MACHINED FOR EXTRUSION 71	624
6307130016**	AL EXTRUDED STATOR BODY-M/C 80(95)-NEW	1,040
6307255067**	CI FACE M/C ES(80FR CUST MOUNT)GD100/112	1,543
6307275016**	CI NDE DEEP E/S MACHINED - NG132	2,111
6113117213**	M/C STATOR ND80 FLANGE UNIT II TB	2,570
6307131001TOP**	CI STATOR M/CED-FR 80 FOOT TB TOP	2,600
137021405W**	STATOR M/CED ND80R FOOT FOR RMPU	2,732
6113117301**	M/C STATOR ND80 TOP	3,040
139021039W**	STATOR M/CED E80M1 NEW (LONG)	3,664
6307265087	CI E/S-FLANGE-M/C-GD112-NORD-POS. NO 12	3,680
6113117109**	NEW STATOR M/C ND90L FOOT-RHS-UNIT2 BORE	3,693
6113117302**	NEW STATOR M/CED ND90S TOP	3,797
139021038W**	STATOR M/CED E80 M1 IIC,DRG HW2593/5598	3,832
6307140005**	CI STATOR M/C-FR 90S [143T] B3 TB TOP	4,070
6307140001TOP**	CI STATOR M/CED-FR 90 FOOT TB TOP	4,070
6113117303	NEW STATOR M/CED ND90L TOP	4,111
6113117304	NEW STATOR M/CED ND100 TOP	5,152
135021004W**	STATOR M/CED D112M1 QW2305	5,337
6307275017	CI FLG E/S MACHINED-GD132-160 MOUNTING	5,501
6307160017	CI STATOR M/CED -NG100L1TF TB TOP NEW	5,851
6307160019	CI STATOR M/CED - NG112M1TF TB TOP NEW	6,035
6113117305	NEW STATOR M/CED ND112 TOP	6,091
6307170003	AL STATOR BODY - MACHINED - 132MVX (NEW)	6,293
310031750**	CANOPY FAN COVER ND280 BTD+SPM	7,151
6113117306	NEW STATOR M/CED ND132S TOP	9,056
6307175004**	CI STATOR M/CED-FR NG132MX FOOT TB SIDE	9,723
6113117307	NEW STATOR M/CED ND132M TOP	10,426
6307170001TOP**	CI STATOR M/CED - FR 132S/M FOOT TB TOP	10,915
6114117105**	M/C STATOR ND160M FLANGE-ND160M122C	15,525
6114117101**	M/CD STATOR ND160M TB SIDE	16,480
6114117103**	M/C STATOR ND160M TB TOP ND160M1TF	16,917
6116317103**	M/C STATOR ND160L TB TOP ND160L1TF	19,729
6116317144**	M/CD STATOR NG/PC160L TB SIDE	22,060
6123117103**	M/CD STATOR ND180L TB TOP ND180L1TF	29,809

** Please check delivery time before placing order

#All Cast iron spares will be sold in standard CG shade. Extra charges for separate paint shade

Stator Case (2/2)



SKU Code	SKU Description	ALP (₹)
6132317116**	M/CD STATOR ND200L TB SIDE ELGI	34,582
6132317103**	M/C STATOR ND200L TB TOP ND200L1TF	49,670
6132317115**	M/CD STATOR ND200L TB SIDE OCB	53,670
6554317103**	M/C STATOR E250M TB TOP	54,520
6153317102**	M/CD STATOR ND250MX TB TOP	70,296
6153327108**	M/CD STATOR ND250MX LHS SPCL KPCL	76,490
6562327103**	M/C STATOR E280M TB TOP	83,920
6168217103**	MACHINED STATOR ND280M TB TOP	89,343
6172417103**	M/CD STATOR ND315-M1TF	1,06,298
6175427117**	M/CD STATOR ND315-LXTF - ND315LX TOP NEW	1,63,061
6181217101**	M/C STATOR ND355-M1 FOOT	2,40,210
338051201**	M/C FAB STATOR AFS280M_TB-225/RHS-CL:390	4,48,760

Terminal Angle

SKU Code	SKU Description	ALP (₹)
319036081**	TERMINAL ANGLE ND400LX TYPE e AND n	3,910
319036096**	TERMINAL ANGLE ND400LX 3 LEADS	6,180

** Please check delivery time before placing order

#All Cast iron spares will be sold in standard CG shade. Extra charges for separate paint shade

Terminal Block (1/2)



SKU Code	SKU Description	ALP (₹)
313025188	ND80 NEW TERMNIAL BOARD -3LEAD	57
313025190	ND90-132 NEW TERMNIAL BOARD -3LEAD	64
3131450003**	TERMINAL BOARD GD63 TO GD100(3 TERM.)	64
313025189	ND80 NEW TERMNIAL BOARD -6LEAD	78
233087002	TERM.BLOCK BAKELITE EW3313 (3L)	89
314086029	SINGLE LAYER TERMINAL BLOCK PC71/80/90	100
313025191	ND90-132 NEW TERMNIAL BOARD 6 LEAD	100
3131450006	Terminal borad wd63-wd100 6L.	103
316086012	NYLON TERMINAL BLOCK ND80-180	113
239087003**	TERMINAL BLOCK ND80-180 6 LEADS STD.	120
314086030	SINGLE LAYER TERMINAL BLOCK PC100/112/13	136
3131470006	TERMINAL BOARD WD132 & WD112(6 TERM.)	162
316086013	TERMINAL BLOCK_GREY_ND160/180	238
314086031	SINGLE LAYER TERMINAL BLOCK PC160AND180	255
314086037	UL TERMINAL BLOCK ND160-180	255
239087005**	TERMINAL BLOCK ND80-180 6 LEADS STD-DMC	280
369086027	T.BOARD ASLY. M6x6 132 FRAME	286
319086012	TERMINAL BLOCK ND200	342
314086032	SINGLE LAYER TERMINAL BLOCK 200	369
314086071**	UL SINGLE LAYER TERMINAL BLOCK 200	369
361086073	T. BOARD ASSLYG2R/G1R-160 (4-TER.) 1PH.	437
369086025	T.BOARD ASLY. M8x6 , G2S160 FRAME	489
361086081**	T.BRD ASY.160 (8-TRM.)+2LNK+16WS+8NN EXP	510
314086019	TERMINAL BLOCK ND 200-250	513
313086032	T.B.CLW (2615) PART NO.1	548
314086024	TERMINAL BLOCK FOR 315-38 BOX - REF 1	598
317086026	TERMINAL BLOCK FOR 315-38 BOX - REF 2	598
361086017	NEW T. BOARD 160 (7TER.)+7NN+14WS	672
132141305	E80 FLP T.BOX HARDWARE KIT	686
314086039	DMC TERMINAL BLOCK 315	708
139141306	E90,3L HARDWARE KIT ASSLY FOR FLP T.BOX.	710
314086026	SINGLE LAYER TERMINAL BLOCK 225-250	716
314086022	SINGLE LAYER UL TERMINAL BLOCK 225-250	716
314086023	UL TERMINAL BLOCK 280-315	734

** Please check delivery time before placing order

#All Cast iron spares will be sold in standard CG shade. Extra charges for separate paint shade

Terminal Block (2/2)



SKU Code	SKU Description	ALP (₹)
312086317	T.BLOCK FOR 280-38/250-131 EA3489R3-M12	753
239087009**	TER.BLOCK ND80-90 FOR RMPU (RDSO)	800
361086074	TERMINAL BOARD G2R/G1R200 (4 TER.) 1ph.	861
379086902	TERMINAL MOUNT ASBG180-280	915
369086023	T.BOARD ASLY. M10x6 G2S200 FRAME	1,037
361086015	NEW T. BOARD 200 (7TER.)+7NN+14WS	1,132
314086038	DOUBLE LAYER TERMINAL BLOCK 280/315	1,179
314086021**	SINGLE LAYER UL TERMINAL BLOCK PC280/315	1,201
314086028	SINGLE LAYER TERMINAL BLOCK PC280/315	1,201
138141309	E90,6L HARDWARE KIT ASSLY FOR FLP T.BOX.	1,352
319036085	TERMINAL LINK ND400LX 6 LEADS	1,429
319086320	TERM BLOCK TYPE E&N 250-131 EPOXY GLASS	1,555
310086317	MAIN TERMINAL STUD E355LX	1,562
310086052	TERMINAL BLOCK ND355L 250-131-M16	1,713
319086326	TERMINAL BLOCK TYPE e & n 250-131	1,778
310086061	TERMINAL BLOCK ND355L -315 SPLIT TB -M16	1,933
371086402	TERM BOARD ASBG160 RIGHT-TIN PLATED	2,276
361086084**	T. BOARD ASLY 250 (8 TRM)+4LNK+8WS+8NN	3,412
65173293	E160-38S F1 T/BOX ASSLY KIT 6L	4,955
65473293	T/BOX ASSLY KIT 6L E225-315M STD	7,111
65752286**	TERMINAL PLATE ASSLY E315L_6 LEADS	7,363
65752288	TERMINAL PLATE ASSLY E315L_6+4 LEADS	9,657

** Please check delivery time before placing order

#All Cast iron spares will be sold in standard CG shade. Extra charges for separate paint shade

Terminal Box (1/3)



SKU Code	SKU Description	ALP (₹)
245087104	NEW PLASTIC TERMINAL BOX ND90 TO ND132	99
3123010001	TERM. BOX-CAST WD63 TO WD90	112
6308140001	TERM.BOX M/CED 63 TO 90	134
6308140013	TERM.BOX M/CED 63 TO 90 WITH CABLE ENTRY	163
3123040003**	TERM. BOX-COVER GD63/90-NORD-BRAKE-PDC	210
68322663	MACHINE AUX T.BOX 160-355-SPLIT TYPE TB	268
3123030001**	TERM. BOX-CAST NEMA 56-143	280
238335615W	TERM. BOX AL 35913 HW2913 ND90-132	297
231335614W	TERM.BOX M/CED AL ND90-132	327
3123060003**	TERM. BOX-AL-CAST-132 & 112 (NEW DESIGN)	331
6308160015**	TERM.BOX M/CED 112/132 M25x1.5 DBL ENTRY	361
6308160025	TERM.BOX M/CED 112/132 M25x1.5 SINGLE EN	362
3123060001	TERM. BOX-CAST-132 & 112	364
6308150024	SQ TERM.BOX M/C STD GD/NG112/132 FRAME	367
3123010006**	TERM. BOX-CAST 80AND90-NORD-OPTION 2-PDC	370
613025132	71-80-90 M/CD SPLIT TYPE TERMINAL BOX	370
231335613W**	TERM.BOX M/CED AL ND90-132 FOR RMPU	380
3123010009**	TERM.BOX GD 63 TO 90-BRAKE-NORD-NEW	390
6308140006**	T.BOX M/CED 63TO-90-NORD-PDC-M25+M12-2	390
3123060007**	TERM. BOX-CAST-100-112&132 nord OPT1-PDC	400
318031911	PRESSED TERMINAL BOX (56A) ND160-180	420
6308140010**	TERM.BOX M/CED 63 TO 90-BRAKE-NORD-NEW	449
6308160016**	TERM.BOX M/CED 112/132 FR NORD-PDC	490
6308160022**	GK420 T-BOX_112/132 EMCO BRAKE_(SR NO 2)	On Enquiry
136021562W**	M/C TERMINAL BOX E132-38SP GR IIC	On Enquiry
613025134	M/C SPLIT TERMINAL BOX 100	575
613025136	112/132 M/CD SPLIT TYPE TERMINAL BOX	636
318031811	PRESSED TERMINAL BOX ND200-56A	774
613025136M1	ND90-132 M/CD SPLIT TYPE TERMINAL BOX	788
318031911S**	PRESSED TERMINAL BOX (56A) ND160-180	840
6308160019**	ND160-200TERMINAL- BOX - NORD-GDC-NEW	920
136021224	TERM.BOX CI D90-56C HW2505	1,011
61121181**	ND160-56S M/CD TERMINAL BOX	1,055
61533183**	M/CD SEALING BOX 200-133	1,093

** Please check delivery time before placing order

#All Cast iron spares will be sold in standard CG shade. Extra charges for separate paint shade

Terminal Box (2/3)



SKU Code	SKU Description	ALP (₹)
DCHW2505B22**	TERM.BOX D90-56C CI DC 1"BSC 25MM CRS	1,146
6153318112	200-38RLY (AL) M/CD T. BOX ND180/200	1,172
319031910	PRESSED TERMINAL BOX ND250	1,288
319031912	PRESSED TERMINAL BOX ND225	1,288
613025140	160/180/200 M/CD SPLIT TERM BOX BLIND	1,302
613025141	160/180 M/CD SPLIT T.B WITH CABLE ENTRY	1,355
61141181	ND160-56D M/CD TERMINAL BOX	1,867
613025383	M/C SEALING BOX 225-250-280	1,967
6153318111**	200-38RLY (AL) M/CD T/BOX FOR C200 1"X 3	2,170
6308160021**	GD132-112T.BOX-BRAKE NORD-GDC-NEW	2,220
61141113**	M_C TB ND160-56D FOR NG 132 FRAME	2,330
135021561**	TERM.BOX CI E90-38A HW2389	2,340
613025142	200 M/CD SPLIT TYPE TERMINAL BOX	2,679
613025283	M/C SEALING BOX 315-SPLIT TB	2,977
65463283	M/C SEALING BOX E225-102S	3,064
313025142**	200 SPLIT TYPE TERMINAL BOX	3,180
613025166**	225-250-T. BOX-NORD-MACHINING-TMERMISTOR	4,250
613025143	225-250 SPLIT TYPE T. BOX-FOR AUX BOX	4,278
EXCHW3209B1BL3	M/CED T BOX WITH STUD E90_E132 IIC - 3L	4,769
613025121**	M/C TERMINAL BOX 225-250 SPLIT TYPE	5,360
61756283	M/CD SEALING BOX 250-133	5,464
EXCHW3209B1BL6**	M/CED T BOX WITH STUD E90_E132 IIC - 6L	5,565
65131181**	E160-38S M/CD TERMINAL BOX-6 LEADS.	5,630
613025151**	225-250-TERMNIAL BOX-NORD-MACHINING	5,790
65131190**	M/CD TERM BOX E160-38AUX-FOR SP.HT&THERM	5,840
613025124**	280 SPLIT TYPE T BOX WITHOUT AUX 280 FR	6,230
613025156	M/CD-315 SPLIT TYPE TERMNIAL BOX	9,295
65131281**	M/C TERMINALBOX E160-38S IIC	9,560
65463481**	M/C T/ BOX E225-38S	11,840
65463483**	M/C T/ BOX E225-38S- SH OR TH	11,960
65463485**	M/C T/BOX E225-315 GR IIC FOR SP HT	12,700
65463488**	M/C T/ BOX E225-38S-SP HT+THERMISTOR	14,116
61756281	250-131 M/CD TERMINAL BOX	14,711
65752281**	M/C TERMINAL BOX E315-38SP	20,090

** Please check delivery time before placing order

#All Cast iron spares will be sold in standard CG shade. Extra charges for separate paint shade

Terminal Box (3/3)



SKU Code	SKU Description	ALP (₹)
6547329302**	E225-38S F2 T/BOX ASSLY WITH SP/TH	28,830
313056252**	FAB TERMINAL BOX ND280+COVER	42,180
313056251**	FAB TERMINAL BOX ND315+COVER	44,290

Terminal Box Adapter

SKU Code	SKU Description	ALP (₹)
313056201**	FAB. L-TYPE TB ADAPTOR ND160-200	8,180
313056202**	FAB. L TYPE T.BOX ADAPTOR-ND225 TO ND280	13,160

Terminal Box Assembly

SKU Code	SKU Description	ALP (₹)
EXCHW3180A1BL3	M/CED T BOX WITH STUD E80 IIC - 3L	2,528
EXCHW2600A1BL3	TB ASSLY FLP E80 3L - IIA/IIB	2,761
EXCHW2852B1BL3	TB ASSLY FLP E90-38 3L - IIA/IIB	4,718
EXCHW2389B1BL6	TB ASSLY FLP E90-38A 6L - IIA/IIB	5,919
EXCHW2389B1BL8**	TB ASSLY FLP E90-38A 6+2 IIA/IIB	6,515
65131193	T/BOX ASSLY E160-38S-M8-6 LEADS	13,165
6547329301	E225-38S F2 T/BOX ASSLY 6L	21,183

** Please check delivery time before placing order

#All Cast iron spares will be sold in standard CG shade. Extra charges for separate paint shade

Terminal Box Cover (1/2)



SKU Code	SKU Description	ALP (₹)
3123010005	TERM.BOX COVER PLASTIC-80 FOREMOST:-553	70
132021225W**	TERM.BOX COVER M/CD CI D90-56CA QW2586	On Enquiry
230335619	CAP TYPE ALU.TERMINAL BOX COVER ND80	107
3123040002	TERM. BOX LID-63 TO 90	116
237335517	TERMINAL BOX BOX COVER AL 35517	133
3123040006**	TERM. BOX-COVER GD63/90-NORD-TEFC-PDC	133
3114336001	TERMINAL COVER FOR EXT80 FR ALFA LAVAL	164
230335618	CAP TYPE ALU.TERMINAL BOX COVER ND90-132	176
313025133	71-80-90 SPLIT TYPE TERMINAL BOX COVER.	204
3123070006**	T.BOX -LID-AL CAST-100/112-132-NORD-PDC	212
3123070010**	T BOX LID AL CAST 100-132 PDC CG LOGO	250
137021040	TERMINAL BOX COVER E80-191.	287
361034006**	TOP COVER G2R160C	315
3123070002	TERM. BOX LID- 132 & 112	323
132021225	TERM.BOX COVER CI D90-56CA QW2586	349
313025135	100 SPLIT TYPE TERMINAL BOX COVER	361
318031903	PRESSED TERMINAL BOX COVER ND160-56D	372
318031910	PRESSED TERMINAL BOX COVER ND160-56A	392
313025139	112/132 SPLIT TYPE TERMINAL BOX COVER.	416
318025196S**	AUX TERMINAL BOX COVER PRESSED TYPE.	460
3123070011**	NEW TB LID-AL CAST-132-200-NORD W/O LOGO	495
361034077	T.BOX COVER G2R 160S1 (SHEET METAL)	498
313025139M1	ND90-132 SPLIT TYPE T. BOX COVER M1	505
61121182**	ND160-191S M/CD TERMINAL BOX COVER	571
131021153**	TERM BOX COVER - CI E90-191 EW2048	630
3123070009	TERM BOX LID-AL CAST-132-200-NORD	683
319033700	PRESSED TERMINAL BOX COVER ND225-280	703
363031001	T.BOX COVER G2B-R 200 WITH CG LOGO	710
313025140M1**	ND90-132 SPLIT TYPE TB COVER M1 FG200	980
313025141	160/180SPLIT T. BOX COVER	1,012
133021224W**	M/C TB COVER E132-191SP IIC	1,175
133021224**	TERM.BOX COVER E132-191SP QW3838 (IIC)	1,280
361031054	T.BOX COVER G2B-R 250(AL. BODY)	1,289
319086321	SP.TERM.BOX COVER-EPOXY GLASS FOR CLW	1,627

** Please check delivery time before placing order

#All Cast iron spares will be sold in standard CG shade. Extra charges for separate paint shade

Terminal Box Cover (2/2)



SKU Code	SKU Description	ALP (₹)
65131182	E160-191S M/CD TERM BOX COVER	1,628
313025341**	160/180 SPLIT T. B COVER W/OUT CG LOGO	1,630
313025143	200 SPLIT TYPE TERMINAL BOX COVER	1,764
311025233**	E160-191S C.I TERM BOX COVER	2,030
313025149**	225-250T.B COVER-NORD-CASTING-	2,270
65431182	M/CD TERMINAL BOX COVER E225-191S	2,453
613025841	225-250 SPLIT TYPE TERMINAL BOX COVER.	3,700
65752282**	M/C TERMINAL BOX COVER E315-191	4,454
313025122**	225-250 SPLIT TYPE TERMINAL BOX COVER	4,570
313025125	280 SPLIT TYPE TERMINAL BOX COVER	4,601
613025149	M/CD-315 SPLIT TYPE TERMINIAL BOX COVER	7,144
61756282	250-132 M/CD TERMINAL BOX COVER	7,457

Thermistors

SKU Code	SKU Description	ALP (₹)
316232007	THERMISTER 155C	153
316232005	THERMISTER 150°C (Set of 3Nos)	417
313232003	THERMISTER PTC 130°C (Set of 3Nos)	417
319232122**	THERMISTOR PTC 130 (3 Nos) PESO	3,241
319232121**	THERMISTOR PTC 110 (3 Nos) PESO	4,769

** Please check delivery time before placing order

#All Cast iron spares will be sold in standard CG shade. Extra charges for separate paint shade

V Ring



SKU Code	SKU Description	ALP (₹)
315162550	V-45 V RING_6309 BEARING	12
131162009	V-RING V-20 EW4192/I4	13
132162006	V-RING V-25 EW4192/I5	14
139162007	V-RING V-30 EW4192/I6	14
311162551	V-50 V RING_6310 BEARING	14
135162008	V-RING V-40 EW4192/I7	16
311162552	V-60S V RING_6312 BEARING	55
311162553	V-65S V RING_6313 BEARING	59
311162558	V-75S V RING_6315 BEARING	65
312162551	V-70S V RING_6314 BEARING	65
311162554	V-80S V RING_6316 BEARING	69
311162555	V-90S V RING_6318 BEARING	75
311162556	V-95S V RING_6319 BEARING	77
311062557**	V RING_6321 BEARING	110
311162557	V-110S V RING_6322 BEARING	110
311162560	V-130S V RING_6324 BEARING	130

V Ring Cup



SKU Code	SKU Description	ALP (₹)
314031803	V RING CUP_6309 BEARING	21
310031804	V RING CUP_6310 BEARING	22
319056025	V RING CUP_6312 BEARING	66
311056027	V RING CUP_6313 BEARING	72
311056020	V RING CUP_6314 BEARING	78
310056022	V RING CUP_6318 BEARING	89
311056032	V RING CUP_6319 BEARING	93
311056124**	V RING CUP_6321 BEARING	100
311056024	V RING CUP_6322 BEARING	100

Vent Cover

SKU Code	SKU Description	ALP (₹)
361034005	VENT COVER ROUND 160C NDE	247

** Please check delivery time before placing order

#All Cast iron spares will be sold in standard CG shade. Extra charges for separate paint shade



Smart solutions.
Strong relationships.

Misc. Spares for DC Motors

Aux Terminal Box

SKU Code	SKU Description	ALP (₹)
613025144**	280 SPLIT TYPE T BOX FOR AUX BOX	11,850

Bearing Cover

SKU Code	SKU Description	ALP (₹)
69427531**	INSIDE BEARING COVER MACHINING ASBG160	760
68349647**	M/C DE OUTSIDE BEARING COVER AFS225	790
68349646**	M/C NDE OUTSIDE BEARING COVER AFS225	790
699027904**	M/C NDE INSIDE BRG. COVER_ASBG355_6224	5,330
699027905**	M/C DE INSIDE BRG COV_ASBG355_NU228/6228	7,630
699027907**	M/C NDE OUTSIDE BRG. COVER_ASBG355_6224	8,530
699027906**	M/C DE OUTSIDE BRG COV_ASBG355_NU228	10,450

Blower Adapter

SKU Code	SKU Description	ALP (₹)
378029705**	BLOWER ADAPTOR ASBG250-TB TOP	5,640



Blower Assembly

SKU Code	SKU Description	ALP (₹)
378251412	INLET AIR GUIDE CONE-BLOWER-ASBG315-60Hz	4,167
378270501**	BLOWER ASSEMBLY ASBG180-200	33,774
378251404**	IMPELLAR FAN FOR BLOWER-ASBG 315	47,250
378270400**	BLOWER ASSLY WITH PANEL FILTER ASBG160	48,149
378270500**	BLOWER ASLY PNEL TYPE FILTER ASBG180/200	62,885
378270511**	BLOWER ASSLY ASBG180/200- FILTER+A/F SW	70,440
378270709**	BLOWER ASSLY ASBG225-FILTER+AIRFLW SW	70,913
378270701**	BLOWER ASSEMBLY ASBG225-280	72,584
378270406**	BLOWER ASS-FILTER+AIRFLOW SWITCH-ASBG160	74,860
378270714**	BLOWER ASS ASBG250-280-FILTER-6HOLE	1,24,588
378271315**	BLOWER ASSEMBLY ASBG315 WITH AIR FILTER	1,59,153
378271317**	BLOWER ASSEMBLY ASBG315-FILTER-A/F SWITC	1,81,200
378271320**	BLOWER ASSMBLY-ASBG355-AIR FILTER-A/F SW	2,04,635

** Please check delivery time before placing order

Brush Gear Assembly



SKU Code	SKU Description	ALP (₹)
379270013**	BRUSH GEAR(W/O BRUSH)3+1D-(20x25)ASBG200	45,899
338270700**	BRUSH GEAR(W/O BRUSH)3+0D-(20x25)-AUS280	58,459
338270701**	BRUSH GEAR(W/O BRUSH)3+0D-(16x25)-AFS280	70,490
338270804**	BRUSH GEAR(W/O BRUSH)4+0D-(20x25)-AUS280	72,180
69831630**	BRUSH GEAR ASS ASBG315 MDP 25X32_4 CAV.	72,389
379270028**	BRUSH GEAR(W/O BRUSH)4+1D-(20x25)ASBG250	72,389
379270023**	BRUSH GEAR(W/O BRUSH)4+1D-(25x32)ASBG250	72,894
338270805**	BRUSH GEAR(W/O BRUSH)5+0D-(25x32)ASBG250	75,329
379270017**	BRUSH GEAR(W/O BRUSH)5+0D-(20x25)ASBG250	76,542
69833920**	BRUSH GEAR ASS ASBG355_5X25X32	97,190
379270033**	BRUSH GEAR-W/O BRUSH-5+0D-25x32-ASBG280	1,05,480

Brush Holder

SKU Code	SKU Description	ALP (₹)
378086402	BRUSH ROCKER ASBG160	794
379270434**	BRUSH HOLDER CLAMP-ASBG355	1,560
378042202	BRUSH HOLDER ASBG112/132 10x20 RH 2 CAVI	2,121
378042102	BRUSH HOLDER ASBG100/132 10x16 LH 2 CAVI	2,121
378042103	BRUSH HOLDER ASBG100/132 10x16 RH 2 CAVI	2,121
379270432**	BRUSH HOLDER(W/O BRUSH)-(25x32)-1 POCKET	2,440
378042401	BRUSH HOLDER ASBG160 12.5x25 LH 3 CAVITY	3,959
378042402	BRUSH HOLDER ASBG160 12.5x25 RH 3 CAVITY	3,959
378042403	BRUSH HOLDER ASBG160 16x25 LH 3 CAVITY	3,959
378042404	BRUSH HOLDER ASBG160 16x25 RH 3 CAVITY	3,959
378042901**	BRUSH HOLDER 20x25-5+0D-STD ASBG SERIES	7,570
379270439**	BRUSH HOLDER-SPLIT-2X16X32-ASBG400	9,300
378042908**	BRUSH HOLDER W/O BRUSH 3X(16x25)-ASBG180	13,640
378042900**	BRUSH HOLDER 25x32-5 CAVITY-ASBG SERIES	17,330
378042909**	BRUSH HOLDER W/O BRUSH 4X(16x25)-ASBG200	19,010
378042902**	BRUSH HOLDER 25x32-4 CAVITY ASBG SERIES	19,020

** Please check delivery time before placing order

Brush Holder spring

SKU Code	SKU Description	ALP (₹)
378042514**	BRUSH HOLDR SPRING & LEVER ASBG-25x32-SS	170
378042517**	HOLDER SPRING & LEVER ASBG20x25-SS-1.3KG	210

Brush Holder support ring

SKU Code	SKU Description	ALP (₹)
378086250**	BRUSH HOLDER SUPPORT RING ASBG250-FIG	2,320
378086281**	BRUSH HOLDER SUPPORT RING ASBG315	3,110
378086284**	BRUSH HOLDER SUPPORT RING-ASBG355	3,840

Brush Rocker

SKU Code	SKU Description	ALP (₹)
374232300**	BRUSH ROCKER LOCKING PAD FOR ASBG100	50
374232303**	BRUSH ROCKER LOCKING PAD FOR ASBG355	100
374086101**	BRUSH ROCKER ASBG100	530
370086203**	BRUSH ROCKER ASBG112	550
375086300**	BRUSH ROCKER ASBG132	620
378086601**	BRUSH ROCKER ASBG200-RED (16X32TYPE)	1,403
378086531**	BRUSH ROCKER_ASBG180_EPOXY FIBER_L=30.5	7,740
378086807**	BRUSH ROCKER_AFS250(QAS90435-HOLDER)	7,920
378086602**	BRUSH ROCKER_ASBG200_EPOXY FIBER_L=39.5	14,700

BTD

SKU Code	SKU Description	ALP (₹)
378032902**	SIMPLEX BTD SCREW-M10X1.5-L: 70-ASBG315	3,840

** Please check delivery time before placing order

Commutator



Smart solutions.
Strong relationships.

SKU Code	SKU Description	ALP (₹)
378241411**	COMM ASBG160 SEG.129 HAS40014/10	54,600
378241420**	COMM ASBG160 SEG.70 HAS40014/17	87,640
378241317**	COMMUTATOR ASBG315 SEG.162 HAD21302/1	6,63,070
378241337**	COMMUTATOR ASBG315 SEG.126 HAD21310/5	6,80,687
378241325**	COMMUTATOR ASBG315 SEG.138 HAD21310/3	7,13,564

Distance Piece

SKU Code	SKU Description	ALP (₹)
378089401**	DISTANCE PIECE ASBG160	118

End Cover

SKU Code	SKU Description	ALP (₹)
68349670**	MACHINED END COVER DE FLANGE AUS225	On enquiry
68322840**	DE M/C END COVER AF280S HAD21098R2	On enquiry
68258540**	M/CED END COVER NCE AFS225 QAD21162R0	7,860
68322870**	NDE M/C END COVER AU280S HAD21002R2	8,010

Endshield

SKU Code	SKU Description	ALP (₹)
69322635**	FLG MACHINED ENDSHIELD ASBG132 B35	8,050
69427535**	MACHINED ENDSHIELD DE ASBG160-B35-FLG	9,260
69547440**	MACHINED ENDSHIELD ODE ASBG180 BTD	19,860
69928140**	M/C END SHIELD NDE_ASBG280_COMP_6219_NEW	26,070

** Please check delivery time before placing order

Filter Unit



Smart solutions.
Strong relationships.

SKU Code	SKU Description	ALP (₹)
378251425**	FILTER PANEL ASBG160 (SET OF 5 ELEM)	On Enquiry
378251500**	FILTER PANEL ASBG180-200 (SET OF 5 ELEM)	21,680
378270703**	FILTER PANEL ASBG225-280 (SET OF 5 ELEM)	31,720
378270907**	FILTER PANEL ASBG500 (SET OF 12 ELEM)	48,440
378270906**	FILTER PANEL ASBG400 (SET OF 5 ELEM)	55,000

Flinger Disc

SKU Code	SKU Description	ALP (₹)
699027903**	M/C FLINGER DISC DE_ASBG355_NU228/6228	2,180
378023925**	M/C FLINGER DISC ASBG315_NU224/6224_FAB	3,900

Gasket

SKU Code	SKU Description	ALP (₹)
378162401**	TERMINAL BOX GASKET GK 60 ASBG160	420

Gland Plate

SKU Code	SKU Description	ALP (₹)
378162402**	GLAND PLATE GASKET GK 60 ASBG160	50
378029412**	GLAND PLATE ASBG160- 1.0"X1 + 3/4"X1	620

IP Coil

SKU Code	SKU Description	ALP (₹)
378089406**	IP COIL HOLDER ASBG160	140

** Please check delivery time before placing order

Louvered Cover



Smart solutions.
Strong relationships.

SKU Code	SKU Description	ALP (₹)
378034434**	LOUVERD COVER ASBG250-280- FAB	On enquiry
378034435**	LOUVERD COVER ASBG315- FAB	On enquiry

Lovejoy Coupling

SKU Code	SKU Description	ALP (₹)
379270101**	LOVEJOY COUPLING L070_DTG4000_KEY WAY	1,380

Mounting Base

SKU Code	SKU Description	ALP (₹)
69322671**	MACHINED MOUNTING BASE ASBG132	On enquiry

Oil Seal

SKU Code	SKU Description	ALP (₹)
378162700**	OIL SEAL 85x110x12 TYPE A	220

Tacho Adapter

SKU Code	SKU Description	ALP (₹)
69121261**	M/C TACHO ADAPTER DTG 4000 ASBG100-160	830

Terminal Angle

SKU Code	SKU Description	ALP (₹)
371094900**	TERMINAL ANGLE ASBG225-280-TIN PLATED	1,968
377094500	TERMINAL ANGLE ASBG180-200-TIN PLATED	2,404

** Please check delivery time before placing order

Terminal Block



Smart solutions.
Strong relationships.

SKU Code	SKU Description	ALP (₹)
378086502	FIELD TERMINAL BLOCK ASBG180-280	146
378086588**	EPOXY BLOCK_AFS280 SPH FOR SPLIT TB-TLT	1,710
378086566**	EPOXY BLOCK_AFS280 & ASHC180 SPLIT TB	1,710

Terminal Box

SKU Code	SKU Description	ALP (₹)
378162405**	TERMINAL BOX BASE GASKET ASBG160	40
69827292**	T.BOX ASBG225-280_AUX. ACH_RHS TB	On enquiry
373025400**	TERMINAL BOX ASBG160_SHUNT	1,410

Terminal Box Adapter

SKU Code	SKU Description	ALP (₹)
372029403**	T BOX ADAPTOR FOR ASBG132 WITH 160 TB	890

Terminal Box Cover

SKU Code	SKU Description	ALP (₹)
378162400**	T BOX COVER GASKET GK 60 ASBG160	250
378029401**	TERMINAL BOX COVER-CASTING ASBG160	660
69827273**	MACHINED TERMINAL BOX COVER ASBG225-28	On enquiry

Wound Armature

SKU Code	SKU Description	ALP (₹)
VD17010211731**	WOUND ARM AUS180SPL-M-519 D/E: 38/100	1,87,220
69429952**	WOUND ARMATURE ASBG160A (ASL160A-002)	1,94,670

** Please check delivery time before placing order



Smart solutions.
Strong relationships.

Bearings, Carbon Brushes & Circlips



SKU Code	SKU Description	ALP (₹)
3154316202	BRG 6202-ZZ	132
3154326003	BRG 6003-ZZ	143
233121205	BEARING BALL 6203ZZ.	174
3154326003LH	BRG 6003-ZZ C3LHT23	191
3154346203LH	BRG 6203-ZZ C3LHT23	195
134121016	BALL BEARING 6205ZZ	209
3154346205	BRG 6205-ZZ C3	216
232121208	BEARING BALL 6204ZZ (100)	218
234121202**	BEARING BALL 6201ZZ	240
3154336204LH	BRG 6204-ZZ C3LHT23	247
239121214	BEARING BALL 6304ZZ	254
3154346205LH	BRG 6205-ZZ C3LHT23	303
3154376305	BRG 6305-ZZ C3	336
139121033	BEARING BALL 6305ZZ	424
133121024	BALL BEARING 6206ZZ	455
3154356206	BRG 6206-ZZ C3	455
3154376208	BRG 6208-ZZ C3	539
3154356206LH	BRG 6206-ZZ C3LHT23	542
238121020	BEARING BALL 6207ZZ	542
131121014	BALL BEARING 6306ZZ	605
378121000	BALL BEARING 6208 C3	660
138121041	BEARING BALL 6308ZZ	709
369123005**	SEALED BALL BRG 6207-2Z -C3	730
136121031	BEARING BALL 6208ZZ (100)	733
138121036	BALL BEARING 6209-2Z C3	820
3154376308	BRG 6308 C3	910
130121017	BEARING BALL 6210-2Z C3	955
235121215	BEARING BALL 6307ZZ	1,007
317123021	BALL BEARING 6309-2Z C3	1,021
318121101	BALL BEARING 6309 C3_SKF-IMP	1,032
316123021	BALL BEARING 6309-2RS C3	1,108
313123022	BALL BEARING 6310-2Z C3	1,323
316123022**	BALL BEARING 6309 C3	1,410
137121018	BALL BEARING 6212-2Z C3	1,428

** Please check delivery time before placing order
Bearings will be provided for SKF make only



SKU Code	SKU Description	ALP (₹)
310121122	BALL BEARING 6213-2Z C3	1,612
312123022**	BALL BEARING 6310-2RS C3	1,830
313123023	BALL BEARING 6310 C3	1,973
316123024	BALL BEARING 6312-2Z C3	2,146
311123025	BALL BEARING 6313-2Z C3	2,351
314121111	BALL BEARING 6312 C3	3,348
314121118	BALL BEARING 6312 C3_SKF IMPORTED	3,348
311123026**	BALL BEARING 6313-2RS C3	3,827
310121104	BALL BEARING 6311 C3-ZZ	4,136
311123027	BALL BEARING 6313 C3	4,250
361123007	SEALED BALL BRG 6314-2RS-C3	4,872
310121119	BALL BEARING 6313 C3_SKF IMPORTED	5,046
319121106	BALL BEARING 6314 C3	5,980
316121209	BALL BEARING 6314 C4	6,021
319122110	ROLLER BEARING NU310 C3	6,532
319122109	ROLLER BEARING NU309 C3	6,761
316121309	BALL BEARING 6316 C4	6,813
319122104	ROLLER BEARING NU312 C3_ECP.	7,931
316121107	BALL BEARING 6315 C3	8,167
316121109	BALL BEARING 6315 C4	8,344
319121111	BALL BEARING 6316 C3	9,327
319122105	ROLLER BEARING NU313 C3.	11,487
319122204	ROLLER BEARING NU314 C3.	11,521
311122108	ROLLER BEARING NU318 C3	12,052
312121108	BALL BEARING 6318 C3	12,240
312121180	BALL BEARING 6318 C4	12,240
319121109	BALL BEARING 6319 C3	12,681
319122207	ROLLER BEARING NU315 C3	12,962
378121900	BALL BEARING 6220 C3	13,334
318122109	ROLLER BEARING NU319 C3	18,032
378121800**	BALL BEARING 6219 C3	18,320
338121025**	BALL BEARING 6316 2RS C3	20,510
318122215	ROLLER BEARING NU322 C3	20,975
311122214**	ROLLER BEARING NU321 C3	22,198

** Please check delivery time before placing order
Bearings will be provided for SKF make only



SKU Code	SKU Description	ALP (₹)
378121315**	BALL BEARING 6224 C3	25,710
311121116	BALL BEARING 6321 C3	30,039
318121119	BALL BEARING 6324 C3	32,879
318121117	BALL BEARING 6322 C3	33,018
318122108**	ROLLER BEARING NU319ECM C3	35,720
318121121**	BALL BEARING 6309 C3 INSULATED	38,261
338122806**	ROLLER BEARING NJ315 C3	39,530
310121300**	ROLLER BEARING NU224 C3_EC	43,510
316121105**	BALL BEARING 6316 C3 INSULATED	45,910
311123021**	BALL BEARING 6313 C3 INSULATED	47,827
319121107**	BALL BEARING 6314 C3 INSULATED	48,973
316121106**	BALL BEARING 6315 C3 INSULATED	50,504
312121110**	BALL BEARING 6318 C3 INSULATED	50,504
310121206**	ROLLER BEARING NU324 C3_ECP	51,372
316123020**	BALL BEARING 6312 M/C3VL0241 INSULATED	51,653
312121112**	BALL BEARING 6319 C3 INSULATED	52,032
313123025**	BALL BEARING 6310 C3 INSULATED	57,851
318121125**	BALL BEARING 6326 C3	60,452
318122216**	ROLLER BEARING NU326 C3	64,539
318122218**	ROLLER BEARING NU228 C3	67,410
318121118**	BALL BEARING 6322 C3 INSULATED	92,952
312121111**	BALL BEARING 6321 C3 INSULATED	1,15,598
318121126**	BALL BEARING 6326 C3 INSULATED	1,30,025
318121111**	BALL BEARING 6324 C3 INSULATED	1,60,417

** Please check delivery time before placing order
Bearings will be provided for SKF make only



SKU Code	SKU Description	ALP (₹)
136241010	CARBON BRUSH PART NO P1903 DW132	129
312232213	CARBON BRUSH NDW160-200 FOR NGEF	199
376232306	CARBON BRUSH 10X16 R38-EG236S	238
379232305	CARBON BRUSH 10X16 R72-EG236S	238
378232003	CARBON BRUSH 10x20-R48-EG236S	288
379232304	CARBON BRUSH 10X16 R72-E50	445
319232211	CARBON BRUSH 16X20_NDW225-250	455
378232409	CARBON BRUSH 12.5x25-EG236S(SNAP)	463
378232421	CARBON BRUSH 12.5x25-EG8067(SNAP)	535
378232408	CARBON BRUSH 16x25-EG236S-SNAP	610
378232422	CARBON BRUSH 16x25 EG8067 SNAP	613
378232504	CARBON BRUSH 16X25Z EG236S	700
378232510	CARBON BRUSH 16X25Z EG8067	771
378232505	CARBON BRUSH 20X25Z EG236S	776
378232610	CARBON BRUSH 20X25Z EG8067	910
378232500	CARBON BRUSH 16X25Z E50/EG367J	1,107
313232210	CARBON BRUSH 20X40_NDW 280-400	1,218
378232513**	CARBON BRUSH 16X32Z EG98B/E50	1,280
378232400	CARBON BRUSH 16x25-E50-(SNAP)	1,281
378232600	CARBON BRUSH 20X25Z E50/E367J	1,385
376232902	CARBON BRUSH (8+8)X32Z-E101-SPLIT-SCHUNK	1,408
378232911	CARBON BRUSH 25X32Z EG236S	1,411
376232900	CARBON BRUSH 25X32Z-E50/ EG367J	2,119
378232502**	CARBON BRUSH 16x25Z-GRADE F51	2,400
376232905**	CARBON BRUSH 25X32Z-E50-SCHUNK MAKE	4,590

** Please check delivery time before placing order

SKU Code	SKU Description	ALP (₹)
3110341002**	CIRCLIP-A16 MM-FAN-90 & 80 & 63 NDE	10
133141365	A24 EXT CIRCLIP LIGHT SERIES	12
135141030	A30 EXT CIRCLIP LIGHT SERIES	15
135141349	A28 EXT CIRCLIP LIGHT SERIES	15
313141813	A42 EXT CIRCLIP LIGHT SERIES	20
3110341001**	CIRCLIP-C17 MM-NDE BRG -90 TO 71	30
317141812	A48 EXT CIRCLIP LIGHT SERIES	31
312141816	A55 EXT CIRCLIP LIGHT SERIES	39
316141815**	A50 EXT CIRCLIP LIGHT SERIES	50
315141818	A65 EXT CIRCLIP LIGHT SERIES	58
311141819	A70 EXT CIRCLIP LIGHT SERIES	74
315141823	A90 EXT CIRCLIP LIGHT SERIES	132
311141824	A95 EXT CIRCLIP LIGHT SERIES	141
317141828	A120 EXT CIRCLIP LIGHT SERIES	195

** Please check delivery time before placing order



Smart solutions.
Strong relationships.

Packaging Material

SKU Code	SKU Description	Motor Frame	ALP (₹)
3181120001	CARTON BOX W/O FITMENT- GD63/71 HOME	GD63 / GD71	120
3181020001	THERMOCOL PACKING- GD63/71 (265X180X215)	GD63 / GD71	142
3181130001	CARTON BOX W/O FITMENT- GD80 & NG80 HOME	GD80	152
3181030001	THERMOCOL PACKING- GD80 & NG80	GD80	166
3181140001	CARTON BOX W/O FITMENT- GD90 HOME	GD90	197
130807297	CARTON ND80 WITHOUT FITMENT-HW3162/IT-1	ND80	268
3181140002	CARTON BOX W/O FTMT- GD100/112&NG90 HOME	GD100 / GD112	297
1308072981	CARTON ND90 WITHOUT FITMENT(HW3162)	ND90	309
1308072991	CARTON ND100 WITHOUT FITMENTS(HW3162)	ND100	389
3181137001**	CARTON BOX WITHOUT FITMENT ND80 7 PLY	ND80	400
3181040001	THERMOCOL PACKING- GD90 FR.	GD90	407
2371924531	CORRUGATED CARTON BOX E80	E80	462
3181040002	THERMOCOL PACKING- GD100 / 112 & NG90L	GD100 / GD112	513
3181170001	CARTON BOX W/O FTMT- GD132 & NG100/112	GD132	530
3181137002**	CARTON BOX WITHOUT FITMENT ND90 7 PLY	ND90	580
2371924532	CORRUGATED CARTON BOX E90	E90	622
3181137004**	CARTON BOX WITHOUT FITMENT ND112 7 PLY	ND112	640
3181137003**	CARTON BOX WITHOUT FITMENT ND100 7 PLY	ND100	680
3181137005**	CARTON BOX WITHOUT FITMENT ND132 7 PLY	ND132	680
2371924533	CORRUGATED CARTON BOX E100	E100	747
3181170015	CARTON BOX W/O FTMT- 132TOP	ND132 TOP	804
130807301	CARTON ND132 WITHOUT FITMENTS	ND132 FLANGE	879
2371924534	CORRUGATED CARTON BOX E112	E112	899
3181070001	THERMOCOL PACKING- GD132 & NG100/112	GD132	1,164

** Please check delivery time before placing order

#All Cast iron spares will be sold in standard CG shade. Extra charges for separate paint shade

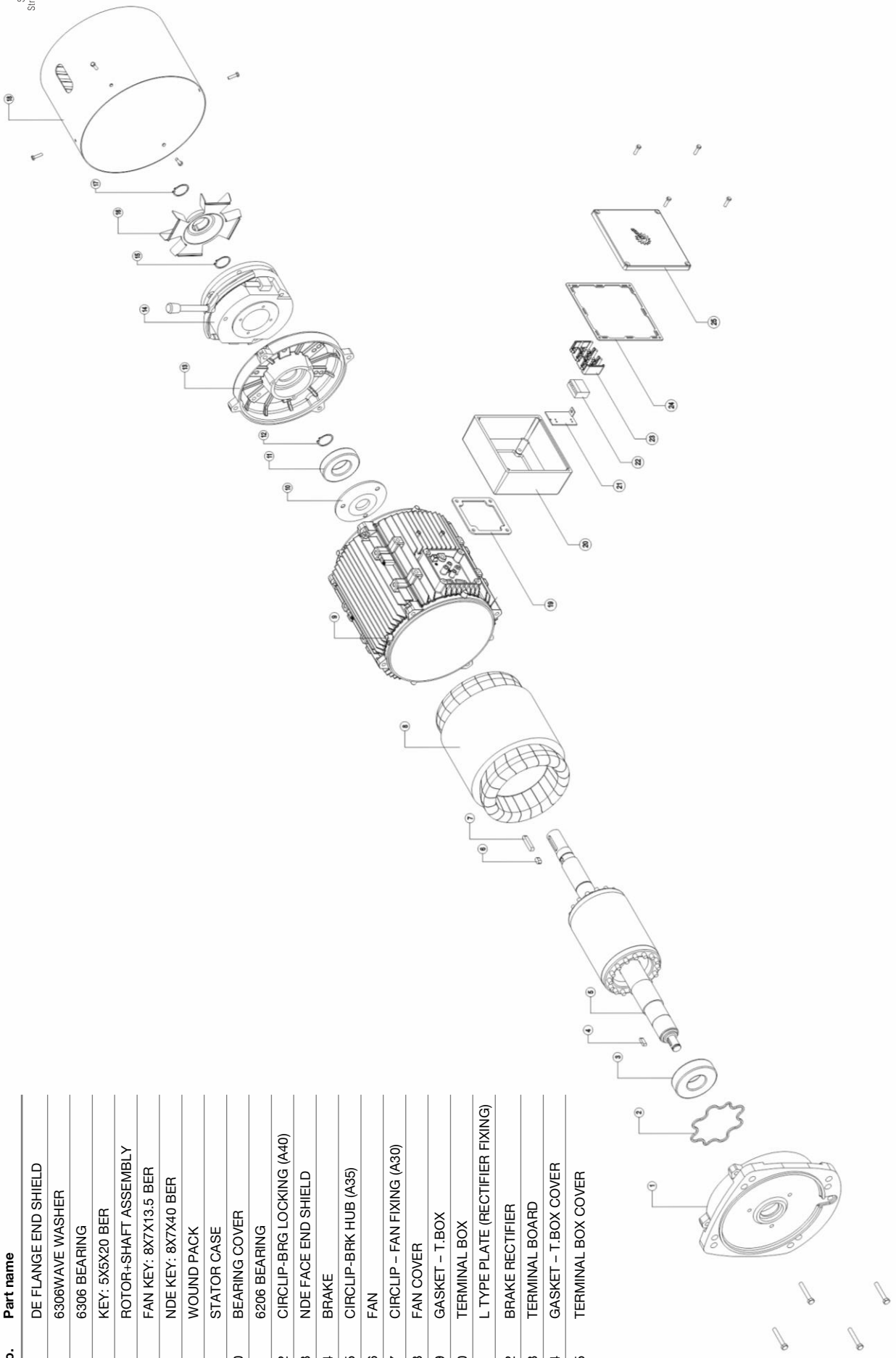
SKU Code	SKU Description	Motor Frame	ALP (₹)
230192218	THERMOCOL BOX SD/ND80 FOOT & FLG MOTOR	ND80	369
2301922181**	THERMOCOL BOX ND80 FOOT & FLG MOTOR.	ND80	380
230192220	THERMOCOL BOX SD/ND 90 FOOT & FLG MOTOR	ND90 TOP	462
230192226	THERMOCOL BOX E80 IIC-TBT-EA6772	E80	686
230192221	THERMOCOL BOX SD/ND 100 FOOT & FLG MOT	ND100	721
230192222	THERMOCOL BOX SD/ND 112 FOOT & FLG MOTOR	ND112	770
230192232	THERMOCOL BOX E90 FOOT & FLG TB SIDE	E90	980
230192233	THERMOCOL BOX E100 FOOT & FLG TB SIDE	E100	1,176
230192235	THERMOCOL BOX E112 FOOT & FLG TB SIDE	E112	1,372
230192248	THERMOCOL BOX 132 TB TOP-EA6772	ND132 TOP	1,539
230192223	THERMOCOL BOX ND 132 FOOT & FLG MOTOR	ND132 FLANGE	1,924

** Please check delivery time before placing order

#All Cast iron spares will be sold in standard CG shade. Extra charges for separate paint shade

Exploded view of Kibosh Brake Motor

Sl. No.	Part name
1	DE FLANGE END SHIELD
2	6306WAVE WASHER
3	6306 BEARING
4	KEY: 5X5X20 BER
5	ROTOR+SHAFT ASSEMBLY
6	FAN KEY: 8X7X13.5 BER
7	NDE KEY: 8X7X40 BER
8	WOUND PACK
9	STATOR CASE
10	BEARING COVER
11	6206 BEARING
12	CIRCLIP-BRG LOCKING (A40)
13	NDE FACE END SHIELD
14	BRAKE
15	CIRCLIP-BRK HUB (A35)
16	FAN
17	CIRCLIP - FAN FIXING (A30)
18	FAN COVER
19	GASKET - T.BOX
20	TERMINAL BOX
21	L TYPE PLATE (RECTIFIER FIXING)
22	BRAKE RECTIFIER
23	TERMINAL BOARD
24	GASKET - T.BOX COVER
25	TERMINAL BOX COVER





Smart solutions.
Strong relationships.



Smart solutions.
Strong relationships.



Terms of Sale

- This ALP price list supersedes all our spare price lists issued before, related to spare parts of LT Motors & Alternators.
- The ALPs are subjected to change without prior notice.
- The ALP price list is valid only for CG authorized spare part stockists and service centers, not to be circulated in market without approval.
- The prices are applicable only in India.
- For any extra product / feature not covered in the ALP price list such as Rotor Shaft, fasteners, etc., kindly contact nearest CG branch office.
- Delivery: ALPs are ex-works/ ex-go down and excluding GST which will be charged extra at actual.
- Prices are in INR.



Standard Paint for Cast Iron Spares

- All the cast iron items will be available in following standard Paint Shades. For any non-standard paint, please contact nearest branch office / EIC

Motor Type	Motor Series	IE2 Motor	IE3 Motor	IE4 Motor (Existing)	IE4 Motor (Oct '23 Onwards)
NFLP Motors	GD (AL)	RAL 7034	RAL 5021 (Nerolac)	RAL 1036	Pantone 22450
	PA (AL)	-	-	RAL 1036	Pantone 22450
	NG	-	RAL 5021 (Nerolac)	RAL 1036	Pantone 22450
	PC	-	-	RAL 1036	Pantone 22450
	ND	RAL 7034	RAL 5021	RAL 1036	Pantone 22450
	NS	RAL 7034	RAL 5021	-	-
FLP Motors	E	RAL 7034	RAL 5021	RAL 1036	Pantone 22450

Motor Type	Motor Series	SKU Category	Paint Shade
Alternators	SM Series	End Shield DE	RAL 9005
		Stator	
	Ustad Series	End Shield DE	RAL 5005
		Stator	RAL 6018
Higher kVA Series	End Shield DE	Enamel Paint (40% Gloss) Shade 631	
	Stator		
Aluminum Series	End Shield DE	Black Paint Glossy Finish, Berger Make	
	Stator		Al. Paint (Heat resistant)
DC Motors	Lam Yoke & Solid Yoke	All cast iron spares	1K Topcoat Fast Drying Paint IS STD631

Regional Offices

North (RSM: Charu Pathak, 9654125348)

Delhi

4th Floor, Discovery Tower, Plot No.17, Block A,
Institutional Area, Sector 62, Noida - 201309

Faridabad

4th Floor, Discovery Tower, Plot No.17, Block A,
Institutional Area, Sector 62, Noida - 201309

Ghaziabad

4th Floor, Discovery Tower, Plot No.17, Block A,
Institutional Area, Sector 62, Noida - 201309

Jaipur

Jaipur Branch, Church Road, PO Box 173 Jaipur -
302001

West (RSM: Amul Chhajed, 9765405129)

Mumbai

8th Floor, CG House, Dr. Annie Besant Road, Worli,
Mumbai 400 030

Ahmedabad

909-916, Sakar II Ahmedabad 380006

Baroda

10-A, Vrundavan Colony, Near Harinagar Water Tank
Gotri Road, Baroda - 390 007

Pune

5th floor, "Bhalerao Towers", Plot No.36, CTS No.
1669-1670, Shivaji Nagar, Behind Hotel Pride, Shivaji
Nagar, Pune - 411 005

Nagpur

2nd Floor, Sai Niwas, Plot no:U16/A, Ujjawal
Cooperative Housing Society, Ring Road, Opp. to
Shree Nagar, Narendra Nagar, Nagpur, 440015

Raipur

A-207, 2nd Floor, Crystal Arcade Shankar Nagar
Road, Raipur - 492007

Indore

Apollo Trade centre, Rajgarh Kothi, Indore 452001

East (RSM: Samanta Raysingh, 7873051211)

Kolkata

7th Floor, Block B, 50 Chowringhee Road,
Kolkata 700 071

Bhubaneswar

3rd Floor, Janpath Tower, Ashok Nagar, Unit-
II, Bhubneswar-751009

Guwahati

304, Swagota, Envision, G S Road,
Khanapara, Guwahati, Assam 781022

Patna

501, 5th Floor, Luv Kush Tower Exhibition
Road, Patna: 800001

South (RSM: Prakash J, 9176609389)

Chennai

No.3, Dr. MGR Salai, Nungambakkam,
Chennai 600 034

Secunderabad

94, Minerva Complex, Sarojini Devi Rd,
Secunderabad 500003

Bangalore

J.P. Square No.17, 3rd Cross, 5th Main Road,
Chamarajapet Bangalore 560018

Coimbatore

NO.42 DPF Street, 1st floor, Pappanaicken
Palayam, Coimbatore 641037.

All India Customer Care

Toll-Free No: **1800-267-0505**

WhatsApp on **9152670505**

Website: **www.cgglobal.com**

Email ID: **help@cgglobal.com**

Follow us on:
CG Industrial Division

